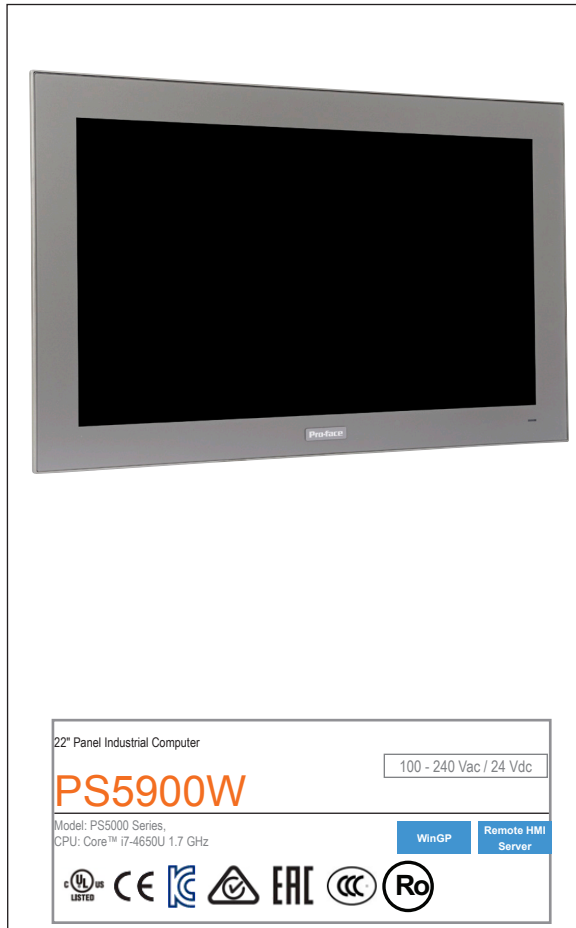


# PS5900W Performance Modular Industrial PC



**Features:**

- Core™ i7-4650U 1.7 GHz
- Fan-less Design
- Extensive Connectivity
- Modular Flexible Design
- TFT Color LCD Display
- VESA Mounting Options

**Performance Specifications**

Models	PS5000 Series (Build to Order)	
Graphics Display Resolution	Full HD TFT (1,920 x 1,080 pixels)	
Display Type & Size	TFT Color LCD 21.5" (wide 16:9)	
Display Colors	16.7 Million	
Touch Panel	Capacitive multi-touch 5 simultaneous touch (projected capacitive)	
Graphic Accelerator	Intel HD Graphics 5000	
Panel Resolution	4,096 x 4,096	
Supported OS	Windows® 7 Ultimate 64 bit MUI / Windows® Embedded Standard 7 (WES7P) 64 bit MUI / Windows® Embedded 8.1 Industry 64 bit MUI	
CPU	Core™ i7-4650U 1.7 GHz	
Main Memory	8 GB / 16 GB, DDR3L 1600 MHz, SO-DIMM SDRAM 512 KB MRAM for the user applications	
Video Memory	Up to 1.7 GB, Shared system memory	
Interfaces	Serial ATA	HDD / SSD x 2 <sup>*1</sup> CFast x 1 mSATA x 1
	Serial (COM1)	RS-232C / 422 / 485 (D-Sub 9-pin, plug)
	Ethernet (LAN1)	10/100/1000 Mbit/s (RJ-45 Modular jack)
	Ethernet (LAN2)	10/100/1000 Mbit/s (RJ-45 Modular jack)
	USB	USB 3.0 x 2, USB 2.0 x 2 (Type A)
	Video	DisplayPort (Type A) x 1
	Mini PCIe	x 2 (revision 1.2)
Expansion Slot <sup>*2</sup>	PCIe (x4) x 2 / PCI x 2 / PCI x 1 + PCIe (x4) x 1	

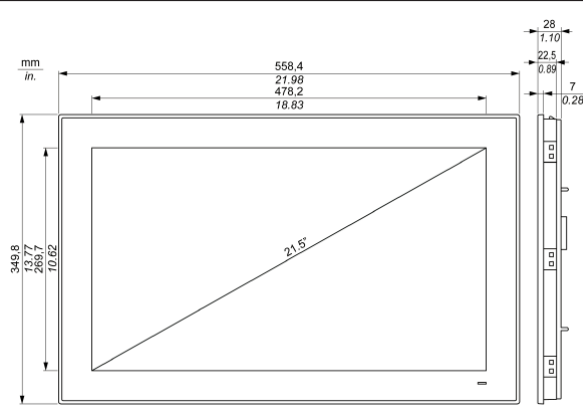
<sup>\*1</sup> When installed, an optional disk adapter unit (PFXZPBADHDD2) that is separately sold is required. <sup>\*2</sup> 2 slot model only.

**General Specifications**

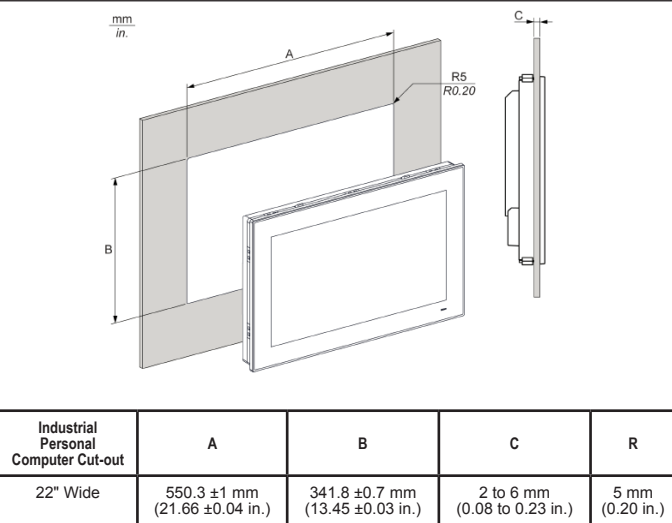
Models	PS5000W Series (Build to Order)
Input Voltage	DC Power Model: 24 Vdc ±20 % When using AC power supply unit: 100 to 240 Vac <sup>*3</sup>
Power Consumption	30.5 W (Max. 50.7 W)
In-Rush Current	8.9 A
Storage Temperature	-30 to 70° [-22 to 158°]
Concussion Resistance	IEC60068-2-27 Ea Test
Certifications	CE (EN61000-6-4, EN61000-6-2, EN61131-2), CSA/UL60950, RCM (C-Tick), EAC (GOST-R), RoHS, REACH, CCC, KC, WEEE
Surrounding Air Temperature	When using SSD / CFast running: 0 to 55° [32 to 131°] When using HDD running: 0 to 45° [32 to 113°] When using mPCI x 2 + Display module : 0 to 45° [32 to 113°] When using PCI/PCIe : 0 to 45° [32 to 113°]
Ambient/Storage Humidity	10 to 95 % RH (Wet bulb temperature: 40 °C [104 °F] max. - no condensation)
Pollution Degree	For use in pollution degree 2 environment
Installation Configuration	Panel Mounting or VESA mounting with optional kit <sup>*4</sup>
Cooling method	Passive heat sink <sup>*5</sup>
Air Pressure (altitude range)	2,000 m (6,560 ft) max
Vibration Resistance	Operation for products with SSD or CF card storage device: 5 to 500 Hz: 2 Grms Operation for products with HDD storage device: 5 to 500 Hz: 1 Grms
Electromagnetic Compatibility	Immunity to High Frequency Interference. Electromagnetic Emissions Class A
Structure	IP66 (front side of display)
Weight	0 slot: 9.7 kg (21.3 lbs.) 2 slot: 10.5 kg (23.1 lbs.)
External Dimensions	0 slot: W558.4 x H349.8 x D93.2 mm [W21.98 x H13.77 x D3.67 in.] 2 slot: W558.4 x H349.8 x D131.2 mm [W21.98 x H13.77 x D5.16 in.]
Panel Cut-Out Dimensions	W550.3 x H341.8 mm [W21.66 x H13.45 in.]
Warranty	Two (2) years

<sup>\*3</sup> For use at 100 to 240 Vac, an optional AC power adapter (PFXZPBPUAC2) that is separately sold is required <sup>\*4</sup> VESA mounting kit sold separately is required, 0 slot: PFXZPBADVS02, 2 slot: PFXZPBADVS22 <sup>\*5</sup> The operating temperature is limited to 45 C and the cooling fan is required for PCI/PCIe cards installed on board with power consumption from 3W to 6W max. for two cards or 10W max for one card.

**External Dimensions**



**Panel Cut Dimensions**



In addition to the wide variety of standard interfaces, additional interface options allow for extensive connectivity and product expansion.



See [profaceamerica.com](http://profaceamerica.com) for optional accessories.

**Ordering Information**

**PS-5900W-i7-\*\*\***

- Panel PC and Modular Displays ..... **900W: Modular Display 22" Widescreen**
- Box PC ..... **i7-16G: Box PC Core i7 16GB**  
(1xDP, 2xEth., 1xCOM, 4xUSB, MRAM)  
**i7-16G-1P1E: Box PC Core i7 16GB 1 PCI + 1 PCIe**  
(1xDP, 2xEth., 1xCOM, 4xUSB, MRAM)  
**i7-16G-2P: Box PC Core i7 16GB 2 PCI**  
(1xDP, 2xEth., 1xCOM, 4xUSB, MRAM)  
**i7-16G-2E: Box PC Core i7 16GB 2 PCIe**  
(1xDP, 2xEth., 1xCOM, 4xUSB, MRAM)  
**i7-16G-CC: Box PC Core i7 16GB Conformal Coating**  
(1xDP, 2xEth., 1xCOM, 4xUSB, MRAM)  
**i7-16G-1P1E-CC: Box PC Core i7 16GB 1 PCI + 1 PCIe**  
Conformal Coating (1xDP, 2xEth., 1xCOM, 4xUSB, MRAM)
- CPU Fan Kit ..... None  
F: CPU Fan Kit for expansion cards above 3W
- Power Supply ..... D: 24 vDC  
A: 100 - 240 AC
- Operating System ..... No Operating System  
WES7: Win Embedded Standard 7 (WES7P) SP1 64 bits MUI  
W764: Win7 Ultimate FES SP1 64bit En MUI  
WE8: Win8.1 Industry 64bit En MUI  
WS732: WES Win7 32bit En MUI  
W1064C: Windows 10 IoT Enterprise 64bit MUI (Celeron)  
W1064I: Windows 10 IoT Enterprise 64bit MUI (i7)
- Main Storage Device ..... SHD: HDD 500GB  
CF32: 32GB CFast  
HHD: HDD 1TB  
SSD8: SSD 128GB  
SSD16: SSD 160GB  
SSD24: SSD 240GB
- Optional Interfaces ..... No Optional Interface  
485X2: Interface - RS485 x 2 Isolated  
485X4: Interface - 4 x RS422/485  
USBX2: Interface - 2 x USB 3.0  
232X2: Interface - 2 x RS232 Isolated  
232X4: Interface - 4 x RS232  
IO: Interface - 16DI / 8DO  
AU: Interface - Audio  
CL: Interface - 1x GPRS/GSM  
ETH: Interface - Gigabit IEEE 1588 Lan  
CO: Interface - 2x CanOpen CanBus  
PF: Interface - Profibus DP Master with NVRAM  
LANX2: Interface - 2x PoE LAN  
DVI: Interface - DVI-I  
ECAT: Interface - EtherCAT  
DVIDVGAX2: Interface - DVI-D + 2 X VGA
- Secondary Storage ..... No Secondary Storage  
CF32: CFast 32GB  
SHD: HDD 500GB  
HHD: HDD 1TB  
SSD8: SSD 128GB  
SSD16: SSD 160GB  
SSD24: SSD 240GB
- Software ..... No Software  
WGP: WinGP  
HMIS: Remote HMI Server  
WGPHMIS: WinGP + Remote HMI Server  
OPN15: BLUE Open Studio Runtime 1.5K tags  
OPN40: BLUE Open Studio Runtime 4K tags  
OPN64: BLUE Open Studio Runtime 64K tags
- Extended Warranty ..... None (Standard)  
One year extended

**Pro-face America**

Phone: 734.477.0600

Fax: 734.864.7347

[www.profaceamerica.com](http://www.profaceamerica.com)

**Customer Service Hotline: 800.289.9266**

For more information

