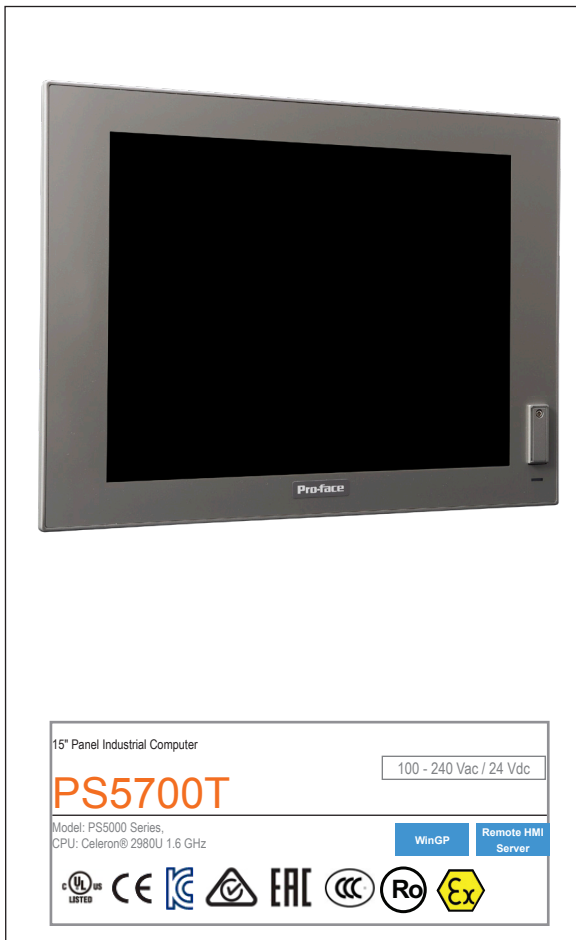


PS5700T Universal Modular Industrial PC



Features:

- Celeron® 2980U 1.6 GHz
- Fan-less Design
- Extensive Connectivity
- Modular Flexible Design
- TFT Color LCD Display
- VESA Mounting Options

Performance Specifications

Model	PS5000 Series (Build to Order)	
Graphics Display Resolution	XGA TFT (1,024 x 768 pixels)	
Display Type & Size	TFT Color LCD (15-inch) (4:3)	
Display Colors	16.7 Million	
Touch Panel	Resistive single touch	
Graphic Accelerator	Intel HD Graphics	
Panel Resolution	2048 x 2048	
Supported OS	Windows® 7 Ultimate 64 bit MUI / Windows® Embedded Standard 7 (WES7P) 64 bit MUI / Windows® Embedded 8.1 Industry 64 bit MUI	
CPU	Celeron® 2980U 1.6 GHz	
Main Memory	4 GB / 8 GB, DDR3L 1600 MHz, SO-DIMM SDRAM 512 KB NVRAM for the user	
Video Memory	Up to 1.7 GB, Shared system memory	
Interfaces	Serial ATA	HDD / SSD x 2 *1 CFast x 1 mSATA x 1
	Serial (COM1)	RS-232C / 422 / 485 (D-Sub 9-pin, plug)
	Ethernet (LAN1)	10/100/1000 Mbit/s (RJ-45 Modular jack)
	Ethernet (LAN2)	10/100/1000 Mbit/s (RJ-45 Modular jack)
	USB	USB 3.0 x 2, USB 2.0 x 2, USB 2.0 x1 (front) (Type A)
	Video	DisplayPort (Type A) x 1
	Mini PCIe	x 2 (revision 1.2)
	Expansion Slot *2	PCIe (x4) x 2 / PCI x 2 / PCI x 1 + PCIe (x4) x 1

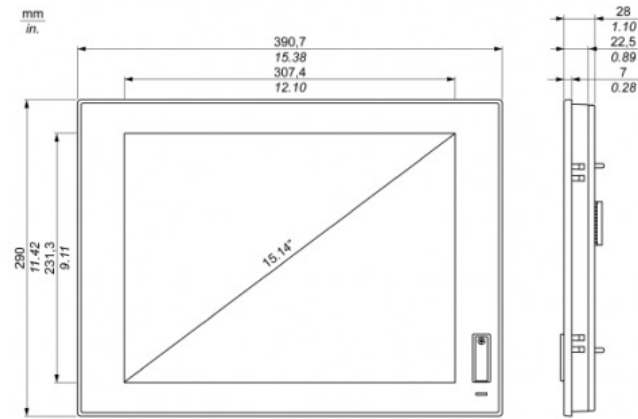
*1 When installed, an optional disk adapter unit (PFXZPBADHDD2) that is separately sold is required. *2 2 slot model only.

General Specifications

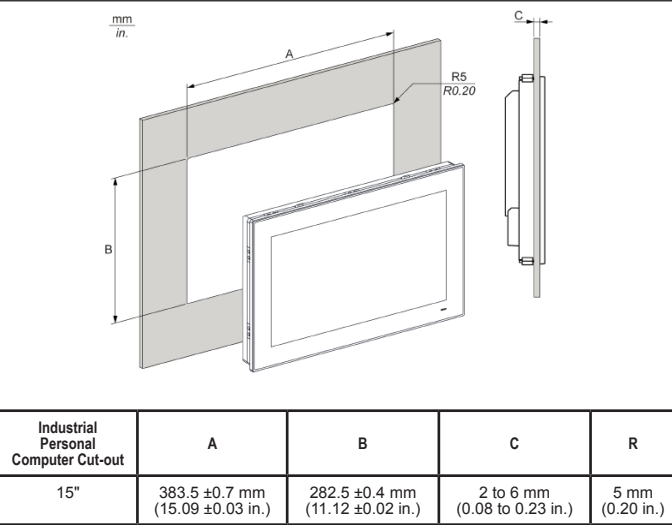
Model	PS5000 Series (Build to Order)
Input Voltage	DC Power Model: 24 Vdc ±20 % When using AC power supply unit: 100 to 240 Vac *3
Power Consumption	25.5 W (Max. 39.9 W)
In-Rush Current	8.9 A
Storage Temperature	-30 to 70° [-22 to 158°]
Certifications	Class 1 Div 2, CE (EN61000-6-4, EN61000-6-2, EN61131-2), CSA/UL61010, RCM (C-Tick), EAC (GOST-R), RoHS, REACH, CCC, KC, WEEE, ATEX
Concussion Resistance	IEC60068-2-27 Ea Test
Pollution Degree	For use in pollution degree 2 environment
Surrounding Air Temperature	When using SSD / CFast running: 0 to 55° [32 to 131°] When using HDD running: 0 to 45° [32 to 113°] When using mPCI x 2 + Display module : 0 to 45° [32 to 113°] When using PCI/PCIe : 0 to 45° [32 to 113°]
Ambient/Storage Humidity	10 to 95 % RH (Wet bulb temperature: 40 °C [104 °F] max. - no condensation)
Installation Configuration	Panel Mounting or VESA mounting with optional kit *4
Cooling Method	Passive heat sink *5
Air Pressure (altitude range)	2,000 m (6,560 ft) max
Vibration Resistance	Operation for products with SSD or CF card storage device: 5 to 500 Hz: 2 Grms Operation for products with HDD storage device: 5 to 500 Hz: 1 Grms
Electromagnetic Compatibility	Immunity to High Frequency Interference. Electromagnetic Emissions Class A
Structure	IP66 (front side of display)
Weight	0 slot: 7.3 kg (16 lbs.) 2 slot: 8.1 kg (17.8 lbs.)
External Dimensions	0 slot: W390.7 x H290.0 x D93.2 mm [W15.38 x H11.42 x D3.67 in.] 2 slot: W390.7 x H290.0 x D131.2 mm [W15.38 x H11.42 x D5.16 in.]
Panel Cut-Out Dimensions	W383.5 x H282.5 mm [W15.09 x H11.12 in.]
Warranty	Two (2) years

*3 For use at 100 to 240 Vac, an optional AC power adapter (PFXZPBPUAC2) that is separately sold is required. *4 VESA mounting kit sold separately is required. 0 slot: PFXZPBADVS02, 2 slot: PFXZPBADVS22 *5 The operating temperature is limited to 45 C and the cooling fan is required for PCI/PCIe cards installed on board with power consumption from 3W to 6W max. for two cards or 10W max for one card.

External Dimensions



Panel Cut Dimensions



In addition to the wide variety of standard interfaces, additional interface options allow for extensive connectivity and product expansion.



See profaceamerica.com for optional accessories.

Ordering Information

PS5700T-CE-***

- Panel PC and Modular Displays 700T: Modular Display 15"
- Box PC **CE-8G:** Box PC Celeron 8GB (1xDP, 2xEth., 1xCOM, 4xUSB, MRAM)
CE-8G-1P1E-CC: Box PC Celeron 8GB-RAM, 1 PCI+1 PCIe Conformal Coating (1xDP, 2xEth., 1xCOM, 4xUSB, MRAM)
CE-8G-2P: Box PC Celeron 8GB-RAM, 2 PCI (1xDP, 2xEth., 1xCOM, 4xUSB, MRAM)
CE-8G-2E: Box PC Celeron 8GB-RAM, 2 PCIe (1xDP, 2xEth., 1xCOM, 4xUSB, MRAM)
- CPU Fan Kit None
 F: CPU Fan Kit for expansion cards above 3W
- Power Supply **D:** 24 vDC
A: 100 - 240 AC
- Operating System No Operating System
WEST: Win Embedded Standard 7 (WES7P) SP1 64 bits MUI
W764: Win7 Ultimate FES SP1 64bit En MUI
WE8: Win8.1 Industry 64bit En MUI
WS732: WES Win7 32bit En MUI
W1064C: Windows 10 IoT Enterprise 64bit MUI (Celeron)
W1064I: Windows 10 IoT Enterprise 64bit MUI (i7)
- Main Storage Device **SHD:** HDD 500GB
CF32: 32GB CFast
HHD: HDD 1TB
SSD8: SSD 128GB
SSD16: SSD 160GB
SSD24: SSD 240GB
- Optional Interfaces No Optional Interface
485X2: Interface - RS485 x 2 Isolated
485X4: Interface - 4 x RS422/485
USBX2: Interface - 2 x USB 3.0
232X2: Interface - 2 x RS232 Isolated
232X4: Interface - 4 x RS232
IO: Interface - 16DI / 8DO
AU: Interface - Audio
CL: Interface - 1x GPRS/GSM
ETH: Interface - Gigabit IEEE 1588 Lan
CO: Interface - 2x CanOpen CanBus
PF: Interface - Profibus DP Master with NVRAM
LANX2: Interface - 2x PoE LAN
DVII: Interface - DVI-I
ECAT: Interface - EtherCAT
DVIDVGAX2: Interface - DVI-D + 2 X VGA
- Secondary Storage No Secondary Storage
CF32: CFast 32GB
SHD: HDD 500GB
HHD: HDD 1TB
SSD8: SSD 128GB
SSD16: SSD 160GB
SSD24: SSD 240GB
- Software No Software
WGP: WinGP
HMIS: Remote HMI Server
WGPHMIS: WinGP + Remote HMI Server
OPN15: BLUE Open Studio Runtime 1.5K tags
OPN40: BLUE Open Studio Runtime 4K tags
OPN64: BLUE Open Studio Runtime 64K tags
- Extended Warranty None (Standard)
 One year extended
 Two year extended

Pro-face America

Phone: 734.477.0600

Fax: 734.864.7347

www.profaceamerica.com

Customer Service Hotline: 800.289.9266

For more information

ACCESS

www.profaceamerica.com