

PS5001B Box Optimized and Basic Industrial PCs



Features:

- Fan-less Design
- Modular Flexible Design
- Can be used with multiple screen sizes

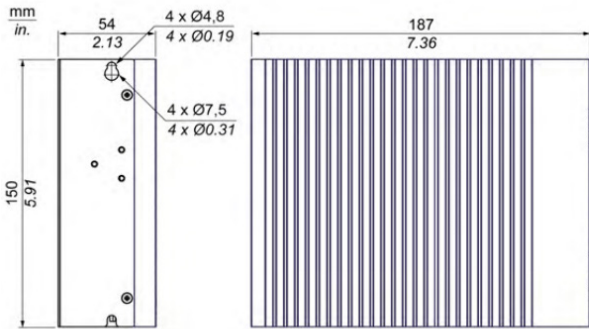
Performance Specifications			
Models	PS5001B Optimized Expandable	PS5001B Optimized	PS5001B Edge
Supported OS	Windows 10 IoT Enterprise 2016 LTSB (64 bit) <i>* UWF (Unified Write Filter) is not supported.</i>		
CPU	Atom E3930 1.3 GHz		
Main Memory	4 GB or 8 GB, DDR3L 1600 MHz, SO-DIMM SDRAM		4 GB, DDR3L 1600 MHz, SO-DIMM SDRAM
Storage memory	M.2 SSD (64GB / 128GB / 256GB) x 1, HDD*1 (500GB / 1TB) / SSD*1 (256GB) x 1	M.2 SSD (64 GB / 128 GB / 256 GB)	eMMC (64 GB / 128 GB)
Video Memory	Up to 1.7 GB, Shared system memory		Up to 2 GB ,Shared System Memory
Graphics Accelerator	Intel® HD Graphics 5000		
Graphics	Up to Full HD (1,920 x 1,080 Pixels)		
Interface	Serial (COM1)	COM1 RS-232 (non isolated, D-Sub 9-pin, plug)	RS-232C/RS-422/485 (non isolated, D-Sub 9-pin, plug)
	Serial (COM2)	COM2 RS-232C/RS-422/485 (non isolated, D-Sub 9-pin, plug)	-
	Ethernet (LAN1)	10 / 100 / 1,000 Mbps (RJ-45 Modular jack)	
	Ethernet (LAN2)	10 / 100 / 1,000 Mbps (RJ-45 Modular jack)	
	USB	USB 3.0 x 2, USB 2.0 x 2 (Type A)	
	Video	DisplayPort (Type A) x 2	
	Internal Expansion	Mini PCIe x 1	
<i>*1 Optional interface mounted type only. For use, an option unit (PFXZPEADHDD2) that is separately sold is required. HDD and SSD can be selected for secondary storage only.</i>			

General Specifications			
Models	PS5001B Optimized Expandable	PS5001B Optimized	PS5001B Edge
Certifications	-CE EN61000-6-2, EN61000-6-4, EN60950-1, EN61010-2-UL61010-2-201, CSA C22.2 No.61010-2-201-ANSI/ISA12.12.01, CSA22.2 No.213-KC-CCC-EAC-RCM-RoHS-RoHS for China-REACH-WEEE		-CE EN61000-6-2, EN61000-6-4, EN60950-1, EN61010-2-UL60950, CSA 60950-KC-CCC-EAC-RCM-RoHS-RoHS for China-REACH-WEEE
Input Voltage	DC Power Model: 12 to 24 Vdc ±20 % When using AC power supply unit : 100 to 240 Vac *2		
Power Consumption	20 W		
In-Rush Current	2.03 A		
Storage Temperature	-30 to 70 °C [-22 to 158 °F]		
Surrounding Air Temperature	[Operating temperature fo Box Atom (PFXPL2B5, PFXPL2B6) 0 to 50 °C [32 to 122 °F] Optional interface installed : limited to 45 °C [113 °F]		
Ambient Humidity	10 to 95 % RH (Wet Bulb Temperature: 40 °C [104 °F] max. - No Condensation)		
Storage Humidity	10 to 95 % RH (Wet Bulb Temperature: 40 °C [104 °F] max. - No Condensation)		
Concussion Resistance:	IEC60068-2-27 Ea Test		
Pollution Degree:	For use in pollution degree 2 environment		
Cooling Method	Passive heat sink		
Air Pressure (altitude range)	2,000 m [6,560 ft] max.		
Vibration Resistance	Operation for products with SSD or eMMC: 5 to 500 Hz: 2Grms, Operation for products with HDD : 5 to 500 Hz: 1Grms		Operation for products with eMMC: 5 to 500 Hz: 2Grms
Electromagnetic Compatibility (EMC)	Immunity to high frequency interference electromagnetic emissions class A		
Weight	1.25 kg [2.75 lb]	1.3 kg (2.86 lbs)	1.2 kg (2.64 lbs)
External Dimensions	W54 x H150 x D187 mm [W2.13 x H5.91 x D7.36 in.]	W38 x H150 x D187 mm [W1.50 x H5.91 x D7.36 in.]	W46 x H150 x D187 mm [W1.81 x H5.91 x D7.36 in.]
Warranty	Two (2) years		

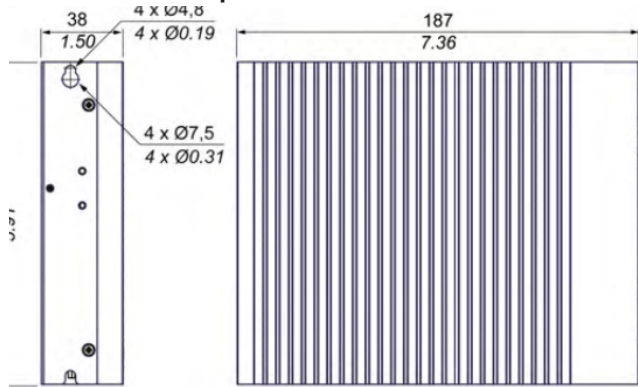
*2 For use at 100 to 240 Vac, an optional AC power supply unit (PFXZPBPUAC2) that is separately sold is required.

External Dimensions

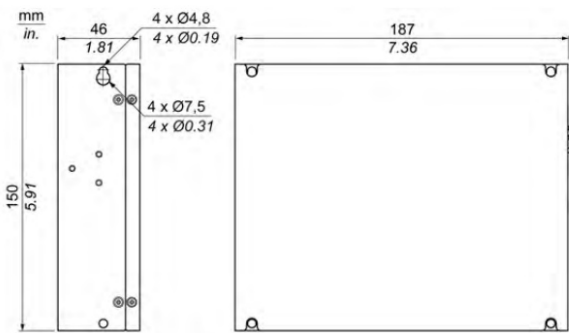
PS5001B Atom Optimized Expandable



PS5001B Atom Optimized



PS5001B Edge Basic



Options

Modular Type

Combine the Box type and the Display in a range of sizes. With a variety of Windows platforms available, and Pro-face's build to order offerings, the application options are endless. Also a Box module can be used alone.

Display Module + **Box Module**

SIZE
The Display type consists of a box with a display module ranging from 12 to the ultra-large 22 inch screen.

22"W 19" 15"W
15" 12"W 12"

CPU
High-Performance CPUs provide the processing power needed to run today's demanding applications.

Core i7
Core i5
Atom

Storage: HDD/SSD* card
Storage: M.2 SSD
Storage: mSATA
* As primary storage

Display Adapter
The Display Adapter allows you to add a display unit with PS5000 Series as a host.

Software

BLUE Line Management Lite SCADA

Open Studio

Screen Editor

GP-Pro EX

Pro-face America
Phone: 734.477.0600
Fax: 734.864.7347
www.profaceamerica.com

Customer Service Hotline: 800.289.9266

For more information
ACCESS www.profaceamerica.com