

12.1" Panel Computer - PS4600 Series



Features:

- 12.1-inch TFT Color LCD
- Hard Drive, CFast Drive, SSD
- UPS Battery options for data protection
- Touch Screen
- Up to 4 COM Ports

Performance Specifications

Model	PS4600 Series - Build to order (See reverse side for ordering information)		
Expansion Slots	0 Slot	1 Slot	2 Slots
	--	1 PCI or PCIe	1 PCI + 1 PCIe or 2 PCI
Display Type and Size	12.1" TFT Color LCD Display		
Graphics Display Resolution	XGA TFT active matrix (1024 x 768 pixels)		
Display Colors	16 million		
Display Area	W 245.76mm [9.68in.] x H 184.32mm [7.26in.]		
Touch Screen	Resistive Film (Analog)		
Intel® Chipset and Processor	Celeron M 827E 1.40 GHz 1.5 MB L2 Cache Intel® Core™ i3-3217UE 1.60 GHz 3 MB L2 Cache		
Supported OS	Windows Embedded Standard 2009 MUI Windows XP Pro MUI Windows Embedded Standard 7 Premium MUI (32-bit) Windows 7 Ultimate MUI (32-bit) Windows 7 Ultimate MUI (64-bit)		
Main Memory	2 x DDR3 1066 MHz slots		
Video Memory	Up to 1 GB (reserved from main memory)		
Video Output	DVI-I x1		
Main Storage Drive	1xSATA for 2.5 HDD/SSD		
Fan	Fan (HDD) Fanless (SSD/CFast)		
Serial	2x 232C 2x RS232C/422/485 (optional)		
Ethernet	2 x RJ45 / 10/100/1000 Mbit/s		
USB	Front: 1x USB 2.0 Back: 4x USB 3.0	Front: 1x USB 2.0 Back: 4x USB 3.0	
Slide-in Disk	1 slot equipped according to model and operating system Not equipped for models running Windows® Embedded Standard 2009 and Windows® Embedded Standard 7 Premium (32-bit) HDD or SSD drive for models running Windows® XP Professional or Windows® 7 Ultimate (32-bit)		
Slide-in Slot	None	DVD-RW or HDD, SSD, CFast Card through slide-in adaptor	
Weight	4.0 kg (8.81 lb)	4.1 kg (9.03 lb)	4.2 kg (9.26 lb)



12.1-inch TFT Color LCD
Panel Computer

PS-4600

Models: PS4600 Series,
CPU: Celeron M 827E 1.40 GHz + 1.5 MB or
Intel® Core™ i3-3217UE 1.60 GHz + 3 MB

100-240 Vac
24 Vdc
XGA

12.1-inch

AC/DC Windows® O/S
SSD WinGP

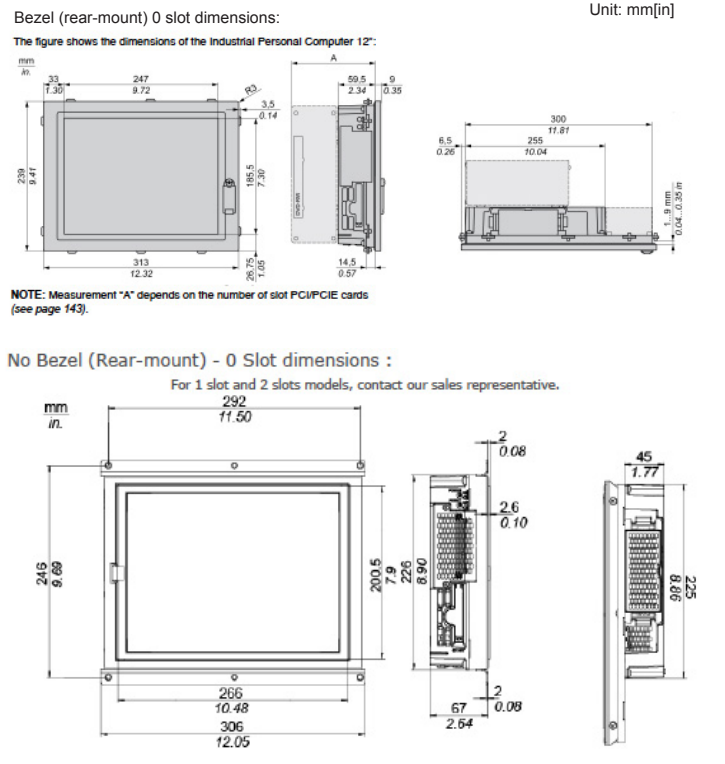


General Specifications

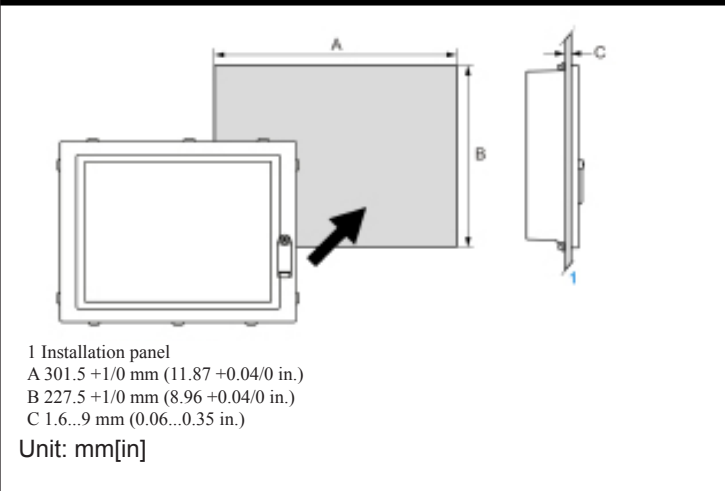
Model Numbers	AC Models	DC Models
Input Voltage	100 / 240 Vac (85 to 264 Vac)	24 Vdc (19.2 to 28.8 Vdc)
Power Consumption	130 W (max.)	
AC/DC Adapted Output Voltage	24Vac +/- 10	
Certification	UL 508 and CSA C22.2 N°142, , ANSI/ISA 12.12.01 and CSA C22.2 N°213, Class I, Division 2 Hazardous (Classified), Locations, GOST certification, RoHS, IP65	
Ambient Temperature	0...50C (32...122F) ^{*1}	
Storage Temperature	- 20...60 °C (- 4...140 °F)	
Relative Humidity	Operation: 5...90%, non-condensing, Storage and Transport: 5...90%, non-condensing	
Noise Immunity	Noise Voltage: 1500Vp-p, Pulse Duration: 50ns, 500ns, 1µs, Rise Time: 1ns (via noise simulator)	Noise Voltage: 1000Vp-p, Pulse Duration: 50ns, 500ns, 1µs Rise Time: 1ns (via noise simulator)
Cooling Method	Passive heat sink/Fan (if HDD installed)	
Electromagnetic Compatibility (EMC)	Immunity to High Frequency Interference/ Electromagnetic Emissions Class A	
Vibration Resistance	IACS E10 and EN/IEC 60068-2-6 Fc	
Vibration	Operation (continuous) 2...9 Hz: 1.75 mm amplitude / 9...150 Hz: 0.5 g Operation (occasional) 2...9 Hz: 3.5 mm amplitude / 9...150 Hz: 1 g Storage and Transport 2...8 Hz: 7.5 mm amplitude / 8...200 Hz: 2 g / 200...500 Hz: 4 g	
Weight	Up to Approx. 4.2 kg (9.26 lb)	
External Dimensions	73.6 x 225.5 x 44.5 mm (2.89 x 8.87 x 1.75 in.)	
Warranty	Two (2) year	

^{*1} When using HDD running with a fan kit.

PS-4600 - External Dimensions



PS-4600 - Cut-Out Dimensions



Ordering Information

PS4600-V1- - - - -

- Expansion Slot:
- Blank..... 0 Slot
 - 1P 1 Slot - PCI
 - 1P1E..... 2 Slot - 1 PCI/1 PCI Express
 - 1E 1 PCI Express
 - 2P..... 2 Slot-2 PCI Slots
- CPU Type:
- CE Icore 3rd generation (Celeron M827E)²
 - C3 I3 3rd generation dual core (Core i3-3217UE)
- Power Supply:
- A AC
 - AB AC with Battery Backup
 - D DC
 - DB DC with Battery Backup
- Memory
- 2G 2 GB in slot
 - 4G 4 GB in slot
 - 6G 4 GB/slot 1 + 2 GB/slot 2
 - 8G 8 GB
 - 12G 8 GB/slot 1 + 4GB/slot 2
 - 16G 8 GB/slot 1 + 8 GB/slot 2
- Operating System
- XP ~~Windows XP MU!~~ *Discontinued*
 - W732 Windows 7(32bit) Ultimate
 - W764 Windows 7(64bit) Ultimate
 - WES7 Windows Embedded 7
 - WES9 Windows Embedded Standard 2009
- Main Storage Device:
- Blank..... No Storage Device
 - PSD Performance SSD (60 GB min.)
 - SHD Standard HDD (500 GB min.)
 - SSD Standard Capacity SSD (120 GB min.)
 - CFSTS CFast 4 GB
 - CFSTM CFast 8 GB
 - CFSTL CFast 16 GB
 - CFSTDS Primary CFast 4GB
 - Secondary CFast 4GB
 - CFSTDL..... Primary CFast 8 GB
 - Secondary CFast 4 GB
- Slide in Equipment:
- Blank..... No Slide in Slot
 - DVDRW DVD DL writer
 - SHD Standard HDD (500 GB min.)
 - PSD..... Performance SSD (60 GB min.)
 - SSD Standard Capacity SSD (120 GB min.)
- Optional Equipment:
- Blank..... No Additional Options
 - R True Mirror RAID¹
 - COM COM Expansion Board RS-232C/422/485
 - RCOM..... Com port + RAID¹
 - 2COM 2 Com Expansion Board RS-232 C1 422/485
- Software:
- Blank..... No Software
 - WGP WinGP v.3.x²
- Mounting Style:
- Blank..... Bezel
 - OF Open frame (rear mount)

Note: Please contact your sales representative to determine if the PC configuration is available as a standard option. There may be longer lead time for certain nonstandard configurations that require a Product Modification.

1 - For RAID, Select main storage drive and identical slide in equipment.
 2 - Not for RAID



California Proposition 65 Warning—Lead and Lead Compounds

Advertencia de la Proposición 65 de California—Plomo y compuestos de plomo

Avertissement concernant la Proposition 65 de Californie—Plomb et composés de plomb

⚠ WARNING: This product can expose you to chemicals including lead and lead compounds, which are known to the State of California to cause cancer and birth defects or other reproductive harm. For more information go to: www.P65Warnings.ca.gov.

⚠ ADVERTENCIA: Este producto puede exponerle a químicos incluyendo plomo y compuestos de plomo, que es (son) conocido(s) por el Estado de California como causante(s) de cáncer y defectos de nacimiento u otros daños reproductivos. Para mayor información, visite : www.P65Warnings.ca.gov.

⚠ AVERTISSEMENT: Ce produit peut vous exposer à des agents chimiques, y compris plomb et composés de plomb, identifiés par l'État de Californie comme pouvant causer le cancer et des malformations congénitales ou autres troubles de l'appareil reproducteur. Pour de plus amples informations, prière de consulter: www.P65Warnings.ca.gov.

All trademarks are the property of Schneider Electric SE, its subsidiaries, and affiliated companies.

Schneider Electric USA, Inc.
800 Federal Street
Andover, MA 01810 USA
888-778-2733
www.schneider-electric.us

Todas las marcas comerciales son propiedad de Schneider Electric SE, sus filiales y compañías afiliadas.

Importado en México por:
Schneider Electric México, S.A. de C.V.
Av. Ejercito Nacional No. 904
Col. Palmas, Polanco 11560 México, D.F.
55-5804-5000
www.schneider-electric.com.mx

Toutes les marques commerciales sont la propriété de Schneider Electric SE, ses filiales et compagnies affiliées.

Schneider Electric Canada, Inc.
5985 McLaughlin Road
Mississauga, ON L5R 1B8 Canada
800-565-6699
www.schneider-electric.ca