

PS4000B Node Box



Node Box Industrial Computer

PS4000B

Model: PS4000B Series,
CPU: Core 2 DUO or Atom N270

1 to 5 PCI Slots

24VDC

SSD Windows® XP/7/2009

Features:

- Can be installed remotely from FP3000 Series units.
- CPU: CoreTM2 Duo P8400 or AtomTM N270
- "Slide-in slot" for quick & easy storage expansion

- Intelligence Fan (CoreTM2 Duo P8400 model only)
- Graphics: Up to 2,048 x 1,536 (QXGA)
- Power Consumption: 90W (Core 2 Duo) / 60W (Atom) or less

Performance Specifications

Models	PS4000B Series- Build to order (See reverse side for ordering information)	
Supported OS	[Core 2 Duo]: HDD or SSD: Windows® XP Professional SP3/Windows® 7 Ultimate (32 or 64 bit) [Atom]: HDD or SSD: Windows® XP Professional SP3, Windows® 7.32 bit	
CPU	Core2 Duo P8400 2.26 GHz or Atom N270 1.6 GHz (only available on 1 or 2 slot models)	
L2 Cache Memory	Core2 Duo: 3 MB or Atom: 512 KB (only available on 1 or 2 slot models)	
Main Memory	Core2 Duo: 4 GB (DDR3 1066 MHz) Atom: 2 GB (DDR2 533 MHz) (only available on 1 or 2 slot models) ^{*1}	
Video Memory	Core2 Duo: Up to 384 MB Atom: Up to 224 MB (only available on 1 or 2 slot models) ^{*2}	
Graphics	[Core2 Duo]: RGB: 300 MHz RAMDAC, up to 2048 x 1536 @70 Hz (QXGA) including 1920 x 1080 @85 Hz (HDTV) DVI: 1920 x 1080 Color Depth: 32 bit (maximum) [Atom]: RGB: 400 MHz RAMDAC, up to 2048 x 1536 @75 Hz (QXGA) including 1920 x 1080 @85 Hz (HDTV) DVI: 1920 x 1080 Color Depth: 32 bit (maximum)	
Interface	Serial ATA	Slide-in Disk: (HDD or SSD) x1 Slide-in Slot: (HDD or SSD or DVD-RW) x1
	IDE	CF slot (Type-I) x1
	Serial (COM1)	RS-232C (D-Sub 9-pin, plug)
	Serial (COM2)	RS-232C (D-Sub 9-pin, plug)
	Serial (COM3)	RS-232C/422/485 (Optional)
	Ethernet (LAN1)	10/100/1000 Mbit/s (RJ-45 Modular jack)
	Ethernet (LAN2)	10/100/1000 Mbit/s (RJ-45 Modular jack)
	USB (TYPE-A)	USB 2.0 x5*4
	Video Output	DVI-I x1 DVI-D x1 (Optional)
	Expansion Slot	PCI (1 or 2 slots) PCI Express (1 or 3 slots)

^{*1} Unable to be added by users. ^{*2} Reserved from main memory

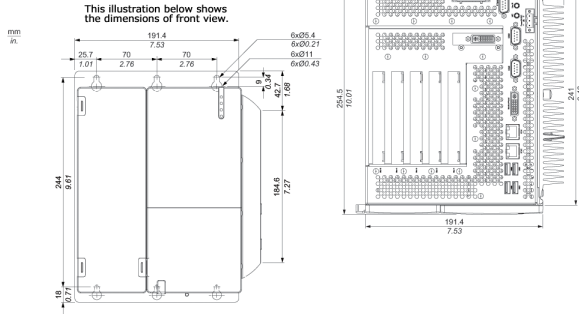
General Specifications

Models	PS4000B (Build to Order)
Input Voltage	24 Vdc ±25 %
Power Consumption	Core2 Duo: 90 W (max.) or Atom: 60 W (max.)
In-Rush Current	Typically 7 A, max. 50 A < 300 μs
Storage Temperature	-20 to +60 °C (-4 to +140 °F)
Certifications	UL508, CE (EN55011 Class A, EN61000-6-2, EN60950-1), RoHS, GOST, ATEX, UL/c-UL, CSA C22.2 N°142, CSA C22.2N°213, ANSI/ISA 12.12.01 Electrical Equipment for use in Class I Division 2, Hazardous Locations
Surrounding Air Temperature	0 to 50 °C (32 to 122 °F) ^{*3}
Ambient Humidity	10 to 85 % RH (Wet bulb temperature: 29 °C (84.2 °F) max. - no condensation)
Storage Humidity	10 to 85 % RH (Wet bulb temperature: 29 °C (84.2 °F) max. - no condensation)
Corrosive Gas	Free of corrosive gases
Cooling Method	Core2 Duo: Fan kit with filter Fan speed is controlled by internal temperature. Fan does not operate unless internal temperature reaches the set temperature. Atom: Passive heat sink, Fanless operation
Air Pressure (altitude range)	2,000 m (6,560 ft) max
Vibration Resistance	•Operation (continuous): 2 to 9 Hz: 1.75 mm (0.07 in.) 9 to 200Hz: 4.9 m/s ² •Operation (occasional): 2 to 9 Hz: 3.5 mm (0.14 in.) 9 to 200 Hz: 9.8 m/s ² •Merchant Navy (continuous): 3 to 13.2 Hz: 1 mm (0.04 in.) 13.2 to 100 Hz: 6.9 m/s ² •Shock Resistance (in operation): 147 m/s ² for a duration of 11 ms (IEC 60068-2-6 Fc)
Electromagnetic Compatibility (EMC)	Immunity to High Frequency Interference. Electromagnetic Emissions Class A
Ratings	IP65, Standard EN/IEC 61131-2
Weight	4.0 kg (8.8 lbs) to 7.0 kg (15.4 lbs)
External Dimensions	Dimensions dependant on unit model. Please reference the PS4000 Manual for exact diminsions for specified unit.
Warranty	Two (2) years

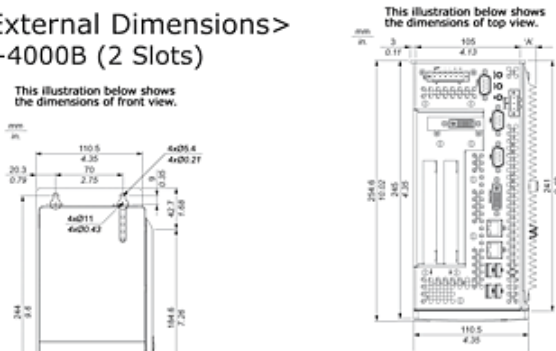
^{*3} Surrounding air temperature depends on what feature or option you use. When you use PS-B unit without FAN unit (AtomN270) 0 to 45°C(32 to 113°F) when using Gigabit Ether, 5 to 40°C(41 to 104°F) when using DVD-RW
When you use PS-B unit with FAN unit (Core2Duo P8400), 5 to 50°C(41 to 122°F) when using DVD-RW

External Dimensions

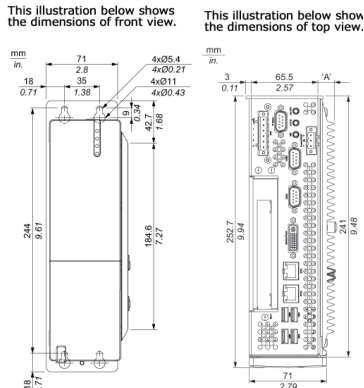
<External Dimensions>
PS-4000B (5 Slots)



<External Dimensions>
PS-4000B (2 Slots)



<External Dimensions>
PS-4000B (1 Slot)



Measurement "A" depends on which heat sink is used

	AtomN270	Core2Duo PS8400
1 Slot Unit	12.8mm (0.503 in)	28 mm (1.103 in)
2 Slot Unit		
5 Slot Unit		

Ordering Information

PS4000-V1

- Expansion Slot:
- 1P 1 Slot - PCI
 - 1P1E 2 Slot - 1 PCI/1 PCI Express
 - 2P 2 Slot-2 PCI Slots
 - 2P3E 5 Slot - 2 PCI/3 PCI Express
- CPU Type:
- AN Atom N270
 - CD Core DUO
- Power Supply:
- D DC
- Memory:
- 2GB 2 GB in slot (Atom N270 Only)
 - 4GB 4 GB 2 GB/slot 1 + 2 GB/slot 2 (CORE™2 DUO Only)
- Operating System:
- Blank No Operating System
 - XP Windows XP MUI
 - W732 Windows 7(32bit) Ultimate
 - W764 Windows 7(64bit) Ultimate (CORE™2 DUO Only)
- Main Storage Device:
- Blank No Storage Device
 - PSD 60GB SSD**
 - SHD 500GB HDD**
 - SSD 120GB SSD
- Slide in Equipment:
- Blank No Slide in Slot
 - DVD DVD writer
 - SHD HDD Standard
 - DVDSHD DVD writer + HDD maximum size
 - SSD SSD 120GB
 - DVDSSD DVD writer + SSD 120GB
 - DVDPSD DVD Writer + SSD 32GB
- Optional Equipment:
- Blank No Additional Options
 - R True Mirror RAID (250GB HDD Only)
 - DVI DVI-D I/F Expansion Board
 - RDVI RAID + second DVI (250GB HDD Only)
 - COM COM Expansion Board RS-232C/422/485
 - DVICOM DVI-D I/F Expansion Board+COM Expansion Board RS-232C/422/485
 - RCOM Com port + RAID (250GB HDD Only)
 - RDVICOM RAID + second DVI + Com port (250GB HDD Only)
- Software:
- Blank No Software
 - WGP WinGP v.3.x (Windows 7(32 bit) Ultimate Only)

*Please contact your sales representative to determine if the node configuration is available as a standard option.

*There may be longer lead time for certain nonstandard configurations that require a Product Modification

**ATEX-Certified drive..

Note: The FP 3900 Generation T41 is not compatible with the PS 4000 Series for an extended desktop or clone display.

Pro-face America
 Phone: 734.477.0600
 Fax: 734.864.7347
 www.profaceamerica.com

Customer Service Hotline: 800.289.9266

For more information

ACCESS

www.profaceamerica.com

Pro-face



California Proposition 65 Warning—Lead and Lead Compounds

Advertencia de la Proposición 65 de California—Plomo y compuestos de plomo

Avertissement concernant la Proposition 65 de Californie—Plomb et composés de plomb

⚠ WARNING: This product can expose you to chemicals including lead and lead compounds, which are known to the State of California to cause cancer and birth defects or other reproductive harm. For more information go to: www.P65Warnings.ca.gov.

⚠ ADVERTENCIA: Este producto puede exponerle a químicos incluyendo plomo y compuestos de plomo, que es (son) conocido(s) por el Estado de California como causante(s) de cáncer y defectos de nacimiento u otros daños reproductivos. Para mayor información, visite : www.P65Warnings.ca.gov.

⚠ AVERTISSEMENT: Ce produit peut vous exposer à des agents chimiques, y compris plomb et composés de plomb, identifiés par l'État de Californie comme pouvant causer le cancer et des malformations congénitales ou autres troubles de l'appareil reproducteur. Pour de plus amples informations, prière de consulter: www.P65Warnings.ca.gov.

All trademarks are the property of Schneider Electric SE, its subsidiaries, and affiliated companies.

Schneider Electric USA, Inc.
800 Federal Street
Andover, MA 01810 USA
888-778-2733
www.schneider-electric.us

Todas las marcas comerciales son propiedad de Schneider Electric SE, sus filiales y compañías afiliadas.

Importado en México por:
Schneider Electric México, S.A. de C.V.
Av. Ejercito Nacional No. 904
Col. Palmas, Polanco 11560 México, D.F.
55-5804-5000
www.schneider-electric.com.mx

Toutes les marques commerciales sont la propriété de Schneider Electric SE, ses filiales et compagnies affiliées.

Schneider Electric Canada, Inc.
5985 McLaughlin Road
Mississauga, ON L5R 1B8 Canada
800-565-6699
www.schneider-electric.ca