

PS-5600T Universal Modular Industrial PC



PS5600T
 Model: PS5000 Series
 CPU: Celeron® 2980U 1.6 GHz

12.0"

100-240 Vac
 24 Vdc









WinGP Remote HMI Server

Features:

- Celeron® 2980U 1.6 GHz
- Fan-less Design
- Extensive Connectivity
- Modular Flexible Design
- TFT Color LCD Display
- VESA Mounting Options

Performance Specifications

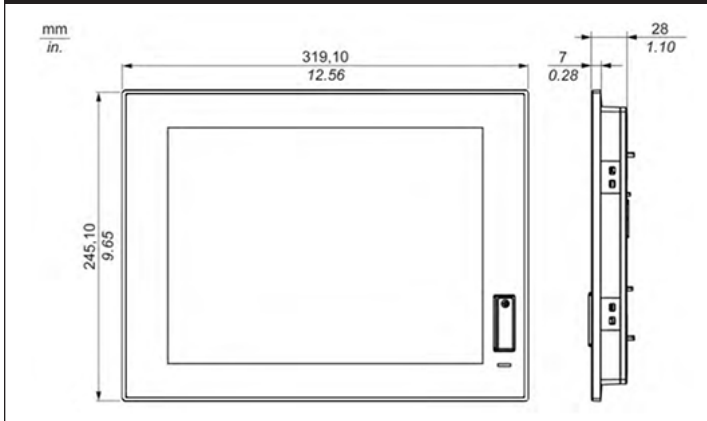
Models	PS5000 Series (Build to Order)	
Graphics Display Resolution	XGA TFT (1,024 x 768 pixels)	
Display Type & Size	TFT Color LCD (12-inch) (4:3)	
Display Colors	16.7 Million	
Touch Panel	Resistive single touch	
Panel Resolution	2,048 x 2,048	
Graphic Accelerator	Intel HD Graphics 5000	
Supported OS	Windows® 7 Ultimate 64 bit MUI / Windows® Embedded Standard 7 (WES7P) 64 bit MUI / Windows® Embedded 8.1 Industry 64 bit MUI / Windows 10 IoT Enterprise	
CPU	Celeron® 2980U 1.6 GHz	
Main Memory	4 GB or 8 GB, DDR3L 1600 MHz, SO-DIMM SDRAM 512 KB MRAM for the user	
Video Memory	Up to 2 GB, Shared system memory	
Interfaces	Serial ATA	HDD / SSD x 2 *1, CFast x 1, mSATA x 1
	Serial (COM1)	RS-232C / 422 / 485 (D-Sub 9-pin, plug)
	Ethernet (LAN1)	10/100/1000 Mbit/s (RJ-45 Modular jack)
	Ethernet (LAN2)	10/100/1000 Mbit/s (RJ-45 Modular jack)
	USB	USB 3.0 x 2, USB 2.0 x 2, USB 2.0 (front) x 1 (Type A)
	Video	Display Port (Type A) x 1
	Mini PCIe	x 2 (revision 1.2)
Expansion Slot *2	"PCIe (x1) x 1 + PCIe (x4) x 1" or "PCI x 2" or "PCI x 1 + PCIe (x4) x 1"	

General Specifications

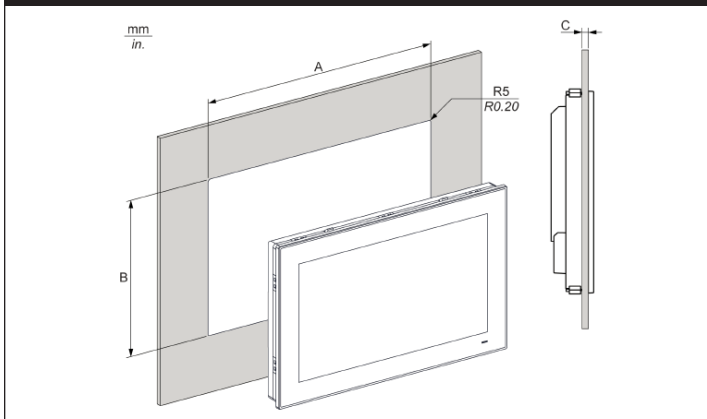
Models	PS5000 Series (Build to Order)
Input Voltage	DC Power Model: 24 Vdc ±20 % When using AC power supply unit: 100 to 240 Vac *3
Power Consumption	38.6 W (Max 52.87 W)
In-Rush Current	8.9 A
Storage Temperature	-30 to 70° [-22 to 158°]
Concussion Resistance	IEC60068-2-27 Ea Test
Certifications	Class 1 Div 2, CE (EN61000-6-4, EN61000-6-2, EN61131-2), CSA/UL61010, ATEX, Marine (DNV), RCM (C-Tick), EAC (GOST-R), RoHS, REACH, CCC, KC, WEEE
Surrounding Air Temperature	When using SSD / CFast running: 0 to 55° [32 to 131°] When using HDD running: 0 to 45° [32 to 113°] When using mPCI x 2 + Display module : 0 to 45° [32 to 113°] When using PCI/PCIe : 0 to 45° [32 to 113°]
Ambient/Storage Humidity	10 to 95 % RH (Wet bulb temperature: 40 °C [104 °F] max. - no condensation)
Pollution Degree	For use in pollution degree 2 environment
Installation Configuration	Panel Mounting or VESA mounting with optional kit *4
Cooling method	Passive heat sink *5
Air Pressure (altitude range)	2,000 m (6,560 ft) max
Vibration Resistance	Operation for products with SSD or CF card storage device: 5 to 500 Hz: 2 Grms Operation for products with HDD storage device: 5 to 500 Hz: 1 Grms
Electromagnetic Compatibility	Immunity to High Frequency Interference. Electromagnetic Emissions Class A
Structure	IP66 (front side of display)
Weight	0 slot: 5.4 kg [11.87 lbs] / 2 slot: 6.2 kg [13.67 lbs]
External Dimensions	0 slot: W319.1 x H245.1 x D93.2 mm [W12.56 x H9.65 x D3.67 in.] / 2 slot: W319.1 x H245.1 x D131.2 mm [W12.56 x H9.65 x D5.16 in.]
Panel Cut-Out Dimensions	W301.5 x H227.5 mm [W11.87 x H8.95 in.]
Warranty	Two (2) years

*1 When installed, an optional disk adapter unit (PFXZPBADHDD2) that is separately sold is required. *2 2 slot model only. *3 For use at 100 to 240 Vac, an optional AC power adapter (PFXZPBPUAC2) that is separately sold is required. *4 VESA mounting kit sold separately is required, 0 slot: PFXZPBADVS02, 2 slot: PFXZPBADVS22 *5 The operating temperature is limited to 45 C and the cooling fan is required for PCI/PCIe cards installed on board with power consumption from 3W to 6W max. for two cards or 10W max for one card.

External Dimensions



Panel Cut Dimensions



IPC Cut-out	A	B	C	R
12"	301.5 ±0.5 mm [11.87 ±0.02 in.]	227.5 ±0.4 mm [8.95 ±0.02 in.]	2 to 4 mm [0.08 to 0.16 in.]	5 mm [0.20 in.]

Ordering Information

PS5600T-CE--**-****

Panel PC and Modular Displays	600T: Modular Display 12"
Box PC	CE-8G: Box PC Celeron 8GB (1xDP, 2xEth., 1xCOM, 4xUSB, MRAM) CE-8G-1P1E-CC: Box PC Celeron 8GB-RAM, 1 PCI+1 PCIe Conformal Coating (1xDP, 2xEth., 1xCOM, 4xUSB, MRAM) CE-8G-2P: Box PC Celeron 8GB-RAM, 2 PCI (1xDP, 2xEth., 1xCOM, 4xUSB, MRAM) CE-8G-2E: Box PC Celeron 8GB-RAM, 2 PCIe (1xDP, 2xEth., 1xCOM, 4xUSB, MRAM)
CPU Fan Kit	None F: CPU Fan Kit for expansion cards above 3W
Power Supply	D: 24 vDC A: 100 - 240 AC
Operating System	No Operating System WES7: Win Embedded Standard 7 (WES7P) SP1 64 bits MUI W764: Win7 Ultimate FES SP1 64bit En MUI WE8: Win8.1 Industry 64bit En MUI WS732: WES Win7 32bit En MUI W1064C: Windows 10 IoT Enterprise 64bit MUI (Celeron) W1064I: Windows 10 IoT Enterprise 64bit MUI (i7)
Main Storage Device	SHD: HDD 500GB CF32: 32GB CFast HDD: HDD 1TB SSD8: SSD 128GB SSD24: SSD 240GB
Optional Interfaces	No Optional Interface 485X2: Interface - RS485 x 2 Isolated 485X4: Interface - 4 x RS422/485 USBX2: Interface - 2 x USB 3.0 232X2: Interface - 2 x RS232 Isolated 232X4: Interface - 4 x RS232 IO: Interface - 16DI / 8DO AU: Interface - Audio CL: Interface - 1x GPRS/GSM ETH: Interface - Gigabit IEEE 1588 Lan CO: Interface - 2x CanOpen CanBus PF: Interface - Profibus DP Master with NVRAM LANX2: Interface - 2x PoE LAN DVII: Interface - DVI-I ECAT: Interface - EtherCAT DVIDVGAX2: Interface - DVI-D + 2 X VGA
Secondary Storage	No Secondary Storage CF32: CFast 32GB SHD: HDD 500GB HDD: HDD 1TB SSD8: SSD 128GB SSD24: SSD 240GB
Software	No Software WGP: WinGP HMIS: Remote HMI Server WGPHMIS: WinGP + Remote HMI Server OPN15: BLUE Open Studio Runtime 1.5K tags OPN40: BLUE Open Studio Runtime 4K tags OPN32: BLUE Open Studio Runtime 32K tags OPN64: BLUE Open Studio Runtime 64K tags
Extended Warranty	None (Standard) One year extended Two year extended