

EZ Numpad



Features:

- Accurate click feeling, allowing for accurate programming
- Works with GP-Pro EX ver. 3.6 or newer
- Standard 22mm mounting similar to all EZ Series products

- Replaces virtual keypad, allowing for more screen real estate
- USB installation, or wall mounting attachment available

Specifications

Model	PFXZCCEUKB1
Supported Software	GP-Pro EX Ver. 3.6 or later
Supported HMI Models	GP4000 Series, GP4000M Modular HMI Series*, LT4000M, Except GP4100
Function Key Label	Printable and replaceable function key labels
* When you connect with GP4000M Series, please connect via self power USB Hub.	

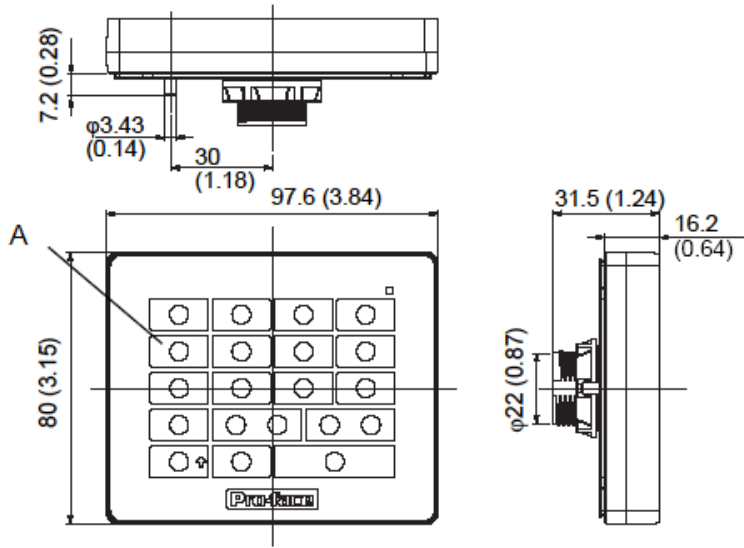
General Specifications

Model	PFXZCCEUKB1
Certifications	CE - EN61000-6-2, EN61000-6-4; UL - UL508, ANSI/ISA-12.12.01 (Hazardous Locations), cUL; RoHS, RoHS China, C-Tick; GOST-R; REACH; KC*1, Class 1 Div 2 Groups A,B,C,D, CSA
Electrical Specifications	
Rated Input Voltage	5 Vdc (Powered from USB bus)
Input Voltage Limits	4.75 to 5.25 Vdc
Power Consumption	0.75 W or less
Environmental Specification	
Surrounding Air Operating Temperature	0 to 55 °C (32 to 131 °F)
Storage Temperature	-20 to 60 °C (-4 to 140 °F)
Surrounding Air and Storage Humidity	10 to 90 % RH (Wet bulb temperature: 39 °C [102.2 °F] or less - no condensation,)/ 10 to 90 % RH
Dust	0.1 mg/m3 (10-7 oz/ft3) or less (nonconductive levels)
Pollution Degree	For use in Pollution Degree 2 environment
Corrosive Gasses	Free of corrosive gas
Operating Altitude	2,000m [6,561 ft] or lower
Mechanical Environment	
Vibration Resistance	IEC/EN 61131-2 compliant 5 to 9 Hz Single amplitude 3.5 mm (0.14 in.), 9 to 150 Hz Fixed acceleration: 9.8 m/s ² , X, Y, Z directions for 10 cycles (100 min.)
Concussion Resistance	IEC/EN 61131-2 compliant, (147 m/s ² , X, Y, Z directions for 3 times)
Electrical Environment	
Electrical Fast Transient Burst	IEC61000-4-4, 2 kV Power Port (Display Unit), 1 kV Signal Ports
Electrostatic Discharge Immunity	IEC61000-4-2, 6 kV Contact Discharge, 8 kV Air Discharge
External Specifications	
Connector Type	Type miniB (socket), USB 2.0 Full Speed
USB Cable Length	1m (Removable) *Max 5m with extension cable, when it gets appropriate power.
External Dimension	W97.6 x H80.0 x D31.5 mm (W3.84 x H3.15 x D1.24 in.)
Structure *1	IP65 NEMA #250 TYPE 4X/13, (on the front panel when properly installed in an enclosure)
Cutout Dimensions	22mm hole mounting
Weight	150 g (0.33 lb) or less

*1: The front face of the unit, installed in a solid panel, has been tested using conditions equivalent to the standards shown in the specification. Even though the unit's level of resistance is equivalent to the UL50E TYPE 4X, oils that should have no effect on the unit can possibly harm the panel. This can occur in areas where either vaporized oils are present, or where low viscosity cutting oils are allowed to adhere to the panel for long periods of time. If the unit's front face protection sheet peels off, these conditions can lead to the ingress of oil into the unit and separate protection measures are suggested. Also, if non-approved oils are present, they may cause deformation or corrosion of the front panel's plastic cover. Therefore, prior to installing the unit, be sure to confirm the type of conditions that will be present in the unit's operating environment. If the installation gasket is used for a long period of time, or if the unit and its gasket are removed from the panel, the original level of protection cannot be kept. To maintain the original protection level, the periodical maintenance is essential.

Note:
A gasket with scratches or dirt could have lost much of its water resistance. The periodical maintenance is essential (e.g. once a year, or as soon as scratches or dirt become visible) for water resistance equivalent to IP65.

Dimension Drawing



Ordering Information

Part Number	Description
PFXZCCEUKB1	EZ Numpad with programmable keys, 22mm hole mounting option, USB connection.

Options

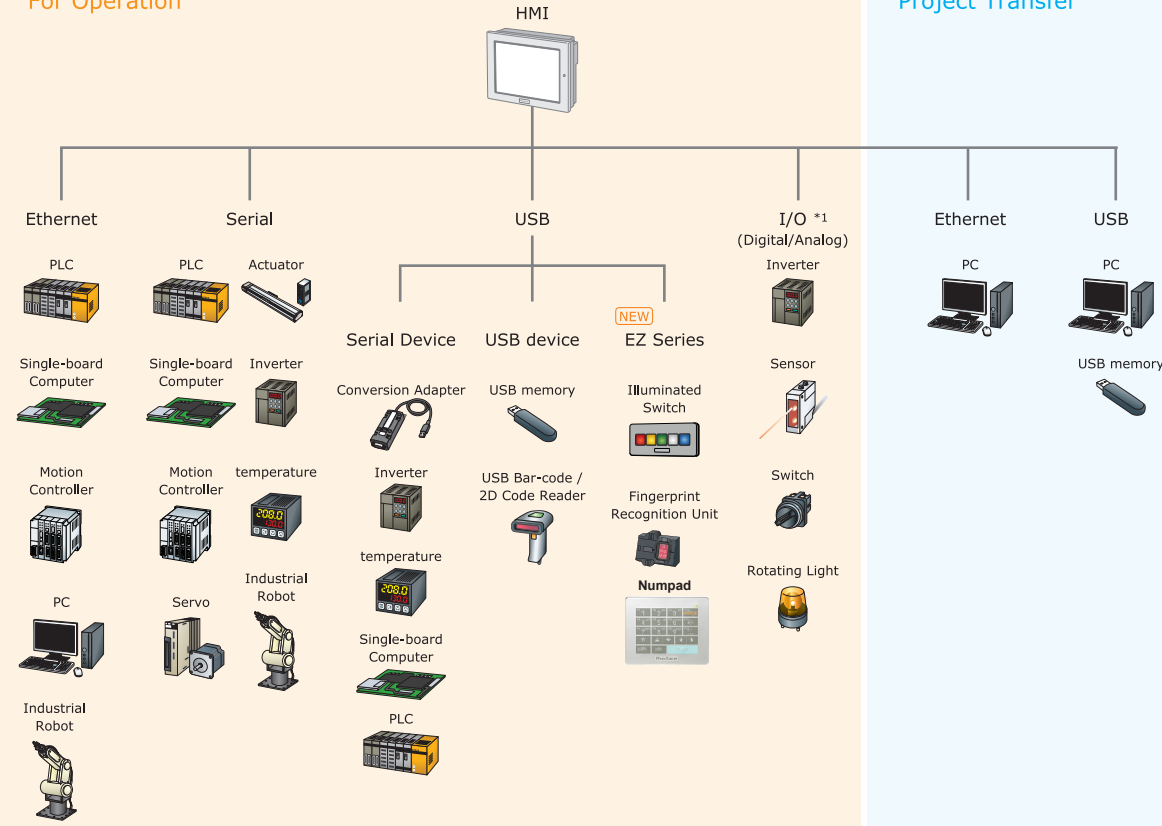
Part Number	Description
PFXZCCAABB1	Anti-rotation Tee (5pcs), USB cable clamp to prevent disconnection (USB/mini-B, 1 port, 5pcs), Function Key Label for EZ Numpad (2pcs/sheet)
PFXZCCAT1	2mm spacer to adjust installation panel thickness (for EZ Illuminated Switch), with $\phi 22$ mm circular hole
PFXZCEATWM1	This attachment allows you to mount the EZ Series Unit on the wall. Please use it when holding the EZ Series in your hands.
PFXZGMNT1	Nut for installation to a solid panel (10 pieces/set)
PFXZGMSW1	Socket wrench to tighten and loosen the installation nut (1 piece/set)
CA5-USBEXT-01	Extension cable attaching USB (Type A) interface to front panel.

* If cable extension is necessary, please use commercial USB cable (max.5m). * The USB cable clamp (USB/B) for EZ Numpad is dedicated for the unit. It cannot be used for FP-US00 (5m USB cable) or commercial USB cables.

Easily Connect to Pro-face HMI

For Operation

Project Transfer



*1: Only for HMI with I/O interfaces.

Pro-face America
 Phone: 734.477.0600
 Fax: 734.864.7347
 www.profaceamerica.com

Customer Service Hotline: 800.289.9266

For more information

ACCESS

www.profaceamerica.com

Pro-face



California Proposition 65 Warning—Lead and Lead Compounds

Advertencia de la Proposición 65 de California—Plomo y compuestos de plomo

Avertissement concernant la Proposition 65 de Californie—Plomb et composés de plomb

⚠ WARNING: This product can expose you to chemicals including lead and lead compounds, which are known to the State of California to cause cancer and birth defects or other reproductive harm. For more information go to: www.P65Warnings.ca.gov.

⚠ ADVERTENCIA: Este producto puede exponerle a químicos incluyendo plomo y compuestos de plomo, que es (son) conocido(s) por el Estado de California como causante(s) de cáncer y defectos de nacimiento u otros daños reproductivos. Para mayor información, visite : www.P65Warnings.ca.gov.

⚠ AVERTISSEMENT: Ce produit peut vous exposer à des agents chimiques, y compris plomb et composés de plomb, identifiés par l'État de Californie comme pouvant causer le cancer et des malformations congénitales ou autres troubles de l'appareil reproducteur. Pour de plus amples informations, prière de consulter: www.P65Warnings.ca.gov.

All trademarks are the property of Schneider Electric SE, its subsidiaries, and affiliated companies.

Schneider Electric USA, Inc.
800 Federal Street
Andover, MA 01810 USA
888-778-2733
www.schneider-electric.us

Todas las marcas comerciales son propiedad de Schneider Electric SE, sus filiales y compañías afiliadas.

Importado en México por:
Schneider Electric México, S.A. de C.V.
Av. Ejercito Nacional No. 904
Col. Palmas, Polanco 11560 México, D.F.
55-5804-5000
www.schneider-electric.com.mx

Toutes les marques commerciales sont la propriété de Schneider Electric SE, ses filiales et compagnies affiliées.

Schneider Electric Canada, Inc.
5985 McLaughlin Road
Mississauga, ON L5R 1B8 Canada
800-565-6699
www.schneider-electric.ca