



GP477R-EG41-24VP (DC powered)
GP477R-EG11 (AC powered)



GP477R - 9.1" Amber HMI

9.1" Operator Interface with RS-232/RS-422 serial port and industrial network connectivity

- High contrast electroluminescent amber LCD
- Supports optional communication modules for expanded network connectivity
- Industry's best serial protocol support
- Bar code support for parts counting, security systems, and inventory management
- Extensive multi-language character support
- Compatible with GP-PRO C-Package 03 software

FEATURES

- 9.1 Inch Touch Screen
- High Contrast Amber LCD
- 640 x 400 Resolution
- UL Class 1 Div 2 Certified (DC Unit)
- Optional Comm. Module Interface
- RS-232/422 Com Port Configurable
- Bar Code Reader Support
- DC/AC Powered Units
- Printer Port

INFORMATION



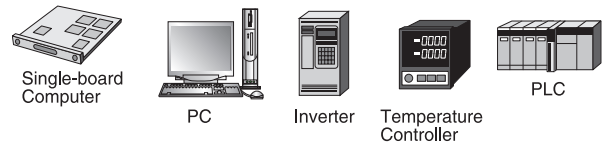
**Powered by:
 GP-PRO/PB III C
 Package03 HMI Screen
 Editor Development
 Software**

- Advanced featured graphics editor for drawing objects, animation, creating pre-configured operator objects, etc.
- Recipes Trending, Alarm/Event Management, Scheduling, Pop-up keypads, etc.
- Password protected; 15 level security.
- Time scheduling for equipment start uptime and periodic tasks.
- Script functions to interface to custom OEM equipment.

COMMUNICATION

Versatile interfaces support flexible and expanding control system needs:

- **Connect to various controllers via serial port or optional communications modules**



- **Also supports serial devices; such as single or two-dimensional bar code readers.**



CONNECTIVITY - LARGEST SELECTION OF PROTOCOLS AVAILABLE!

Popular Controllers Supported:

Schneider
 Twido
 Quantum
 Momentum
 Micro & Nano
 984/884

Toshiba
 V Series
 Prosec EX, T
 Provisor

Yokogawa
 FA, FCN, FCJ
 UT Series

Omron
 Symac Series

Rockwell
 SLC500
 PLC-5
 Control Logix
 MicroLogix
 Compact Logix
 FR Inverters

Mitsubishi
 MELSEC-A
 MELSEC-FX
 MELSEC-Q
 MELSEC-QNA

Koyo
 Kostac
 DL205, 305, 405
 DL05 Series

GE Fanuc
 Series 90-30
 Series 90-70
 PowerMate (Motion Controller)
 Fanuc Series 16, 18, 16i, 18i, 21i

Fuji Electric
 Panadac 7000
 Micrex-F
 Flex-PC
 Temperature controllers

Siemens
 Simatic-S5
 Simatic-S7-200, 300, 400
 Simatic-505

Toyoda
 Toyopuc PC2/3

Profibus
 Modbus Plus
 Data Highway Plus
 Remote I/O
 DeviceNet
 Modbus RTU
 DH485

... and MORE

GP477R SPECIFICATIONS

FUNCTIONAL SPECIFICATIONS

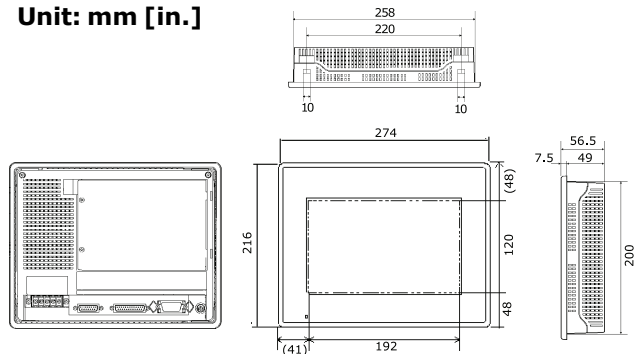
Models	GP477R-EG11	GP477R-EG41-24VP
Display	Type	High intensity Electroluminescent
	Colors	Amber, blink/reverse video
	Backlight	n/a
	Resolution	640 x 400 pixels
	Effective Display Area (mm)	(W)192mm [7.56in.] x (H)120mm [4.72in.]
Memory	Brightness Control	2 levels of adjustment available via touch panel
	Application	2 MB FLASH EPROM
Interfaces	Serial (COM 1) Interface	Asynchronous: RS-232C/RS-422 configurable, 25 pin D-sub
	Data Transmission Speed	2400 to 115.2 kbps
	Data Length	7 or 8 bits
	Parity	None, Odd or Even
	Tool Connector	Asynchronous: TTL level non-procedural command (during screen development). For screen data transfer (during RUN mode) for Bar code reader connection

GENERAL SPECIFICATIONS

Electrical	Input Voltage	AC85V to AC132V 50/60 Hz	DC 20.4V to DC 27.6V
	Power Consumption	50VA or less	50W or less (TYP 20W)
	Ambient Operating Temp.	0°C to 50°C	
	Storage Temperature	-10°C to 60°C	
Environmental	Storage Humidity	20%RH to 85%RH (non-condensing)	
	Vibration Resistance	10Hz to 25Hz (X, Y, Z directions for 30 minutes at 19.6ms ²)	
	Noise Immunity	Noise voltage: 1200Vp-p, Pulse length: 1μs, Arise time: 1ns	Noise voltage: 1200Vp-p, Pulse length: 1μs, Arise time: 1ns
Structural	Ratings	(For front panel of installed unit) Equivalent to IP65f, Nema #250 Type 4x/12	
	Agency Certifications	CE, UL, cUL listed CL 1 Div 2 UL508, UL1604 (DC unit only)	
	External Dimensions	W274mm[10.79in.] x H216mm [8.50in.] x D56.5mm [2.22in.] (GP main unit only)	
	Weight	2.5kg (5.5lb) or less (main unit only)	

EXTERNAL DIMENSIONS

Unit: mm [in.]



OPTIONAL COMM. MODULES

GP070-PF11	Profibus DP Slave interface module
GP070-CL11	Mitsubishi CC Link interface module
GP070-DN41	DeviceNet Slave interface module
CA1-PFSALL-21	Profibus DP Slave interface module
QPI-MBP-XA1	Modbus Plus interface module
QPI-ABD-201	AB Data Highway Plus interface module
QPI-ABR-201	AB 1771 Remote I/O interface module

ORDERING INFORMATION

ORDER NUMBER	DESCRIPTION
GP477R-EG41-24VP	9.1" Amber EL, 1 serial port, 24V DC powered HMI, UL CL 1 Div 2, CE
GP477R-EG11	9.1" Amber EL, 1 Serial port, 120VAC powered HMI

OPTIONAL ACCESSORIES

GPW-CB02	Programming cable: PC RS-232, 9 pin D-sub application download cable
GPW-CB03	Programming cable: PC USB, application download cable
GP070-AT01	Installation fasteners (included with unit)
GP470/477-DF10	Protective Hard Type Sheet for 9" (5 per pack)
PLC Cables	Wide variety of PLC cables available

Xycom Automation, Inc.
a Pro-face America Company
734-429-4971
Fax: 734-429-1010
<http://www.xycom.com>

Customer Support Hotline:
734-944-0482



© 2005 Xycom Automation, Inc. Is a wholly owned subsidiary of Pro-face America, Inc. Specifications may change without notice. Xycom Automation is a trademark of Xycom Automation. Other brand or product names are the property of their respective owners.



California Proposition 65 Warning—Lead and Lead Compounds

Advertencia de la Proposición 65 de California—Plomo y compuestos de plomo

Avertissement concernant la Proposition 65 de Californie—Plomb et composés de plomb

⚠ WARNING: This product can expose you to chemicals including lead and lead compounds, which are known to the State of California to cause cancer and birth defects or other reproductive harm. For more information go to: www.P65Warnings.ca.gov.

⚠ ADVERTENCIA: Este producto puede exponerle a químicos incluyendo plomo y compuestos de plomo, que es (son) conocido(s) por el Estado de California como causante(s) de cáncer y defectos de nacimiento u otros daños reproductivos. Para mayor información, visite : www.P65Warnings.ca.gov.

⚠ AVERTISSEMENT: Ce produit peut vous exposer à des agents chimiques, y compris plomb et composés de plomb, identifiés par l'État de Californie comme pouvant causer le cancer et des malformations congénitales ou autres troubles de l'appareil reproducteur. Pour de plus amples informations, prière de consulter: www.P65Warnings.ca.gov.

All trademarks are the property of Schneider Electric SE, its subsidiaries, and affiliated companies.

Schneider Electric USA, Inc.
800 Federal Street
Andover, MA 01810 USA
888-778-2733
www.schneider-electric.us

Todas las marcas comerciales son propiedad de Schneider Electric SE, sus filiales y compañías afiliadas.

Importado en México por:
Schneider Electric México, S.A. de C.V.
Av. Ejercito Nacional No. 904
Col. Palmas, Polanco 11560 México, D.F.
55-5804-5000
www.schneider-electric.com.mx

Toutes les marques commerciales sont la propriété de Schneider Electric SE, ses filiales et compagnies affiliées.

Schneider Electric Canada, Inc.
5985 McLaughlin Road
Mississauga, ON L5R 1B8 Canada
800-565-6699
www.schneider-electric.ca