

PRO-FACE OPERATOR INTERFACES

PRODUCT DATASHEET



AGP3302-B1-D24

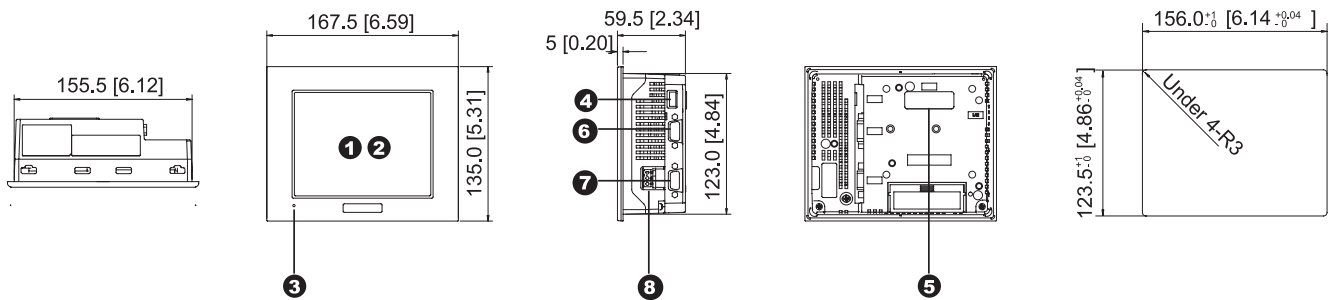


AGP3302 Advanced HMI

5.7" Low Cost USB and Serial Communications Operator Interface with Simultaneous Driver Support

- 16 Shades of Blue and White, Clear, Bright, High-Resolution Monochrome Display
- 64-bit RISC 133Mhz CPU for Fast Screen Refresh and Data Sampling
- No Grid Analog Touch Panel for Improved Visibility and Precise Part Placement
- Supports Up to Two Protocol Drivers Simultaneously
- High Speed Application Transfer, 10 Times Faster than Conventional Operator Interfaces
- 1 USB Port, and Two Serial RS232/RS422 MPI Communication Interfaces
- High-Definition Part Images and Multi-Language Support

PRODUCT OVERVIEW

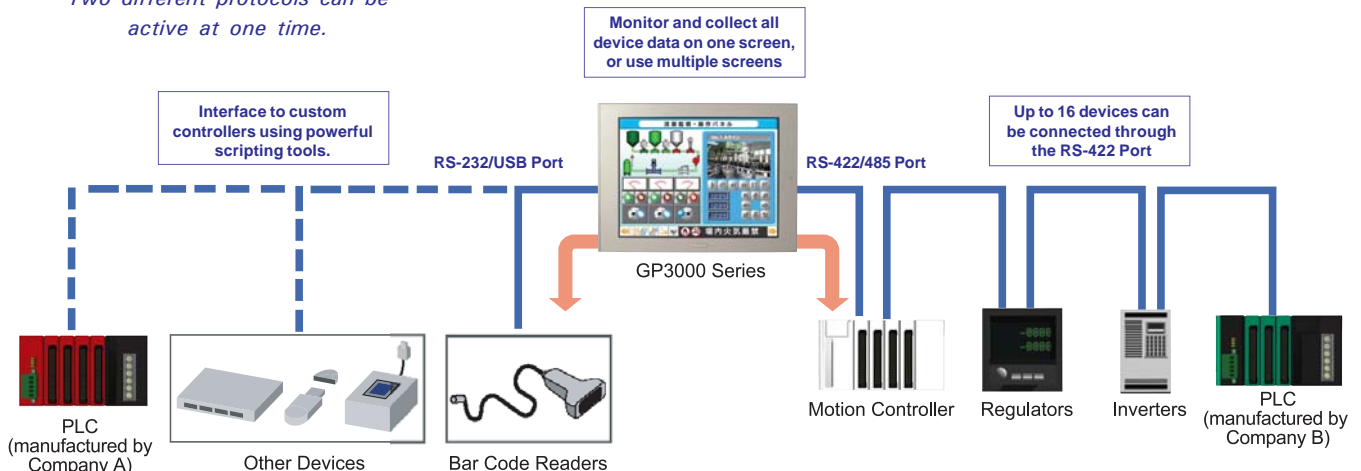


- 1** Display
- 2** Touch Panel
- 3** Status LED
- 4** 1 Port USB 1.1 Type A Interface (Host)
- 5** Optional Communication Feature Interface
- 6** Serial Interface (COM1)
AGP-3300: RS-232C serial interface. D-sub 9-pin plug type connector. Communication method is switched via software.
- 7** Serial Interface (COM2)
AGP-3300: RS-422/RS-485/MPI (187kbps) serial interface. D-sub 9-pin plug type connector.
- 8** Power Plug Connector

COMMUNICATION CAPABILITY

Simultaneous Dual-Protocol Support

Two different protocols can be active at one time.



AGP3302B SPECIFICATIONS

FUNCTIONAL SPECIFICATIONS

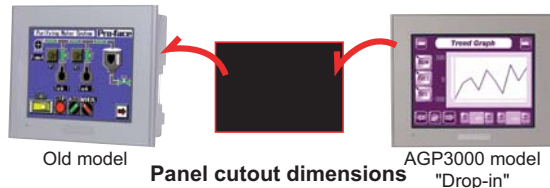
Model		AGP3302-B1-D24
Display	Type	5.7 in. Blue-mode Monochrome LCD
	Colors	Blue and White (16 shades)
	Backlight	CCFL (Service life: 58,000 hrs. at 25°C (77°F) and 24 hr. operation)
	Resolution	320 x 240 pixels
	Brightness Control	8 levels of adjustment available via touch panel
	Contrast Control	8 levels of adjustment available via touch panel
Memory	Touch Panel	Resistive film analog 1024 x 1024 resolution
	Application	6 MB FEPRAM
Interfaces	Data Backup	128 KB SRAM
	Serial (COM 1) Interface	Asynchronous: RS-232C (2400 to 115.2kbps), 9 pin plug D-sub
	Serial (COM 2) Interface	Asynchronous: RS-422 9 pin D-sub plug, Data Transmission Speed: 2400 to 115.2 kbps (MPI Direct 187.5 kbps)
	USB Interface	1 port USB 1.1 Host I/F, USB Type-A connector

GENERAL SPECIFICATIONS

Electrical	Rated Voltage	24VDC
	Rated Voltage Range	19.2V DC to 28.8V DC
	Power Consumption	18W or less
Environmental	Ambient Operating Temp.	0°C (32°F) to 50°C (122°F)
	Storage Temperature	-20°C (-4°F) to 60°C (140°F)
	Storage Humidity	10%RH to 90%RH (non-condensing, wet bulb temperature: 39°C (102°F) or less)
	Altitude Operation	800hPa to 1114hPa (2000 meters or lower)
Structural	Vibration & Shock Resistance	5Hz to 9Hz single amplitude 3.5mm, 9Hz to 150Hz fixed acceleration 9.8m/s ² , X, Y, Z directions for 10)
	Ratings	Equivalent to IP65f, Nema #250 Type 4x/13 (Equivalent to NEMA 12 with the addition of "Oil or Coolant Spraying and Splashing")
	Certifications	CE, CSA, UL Listed CI 1 Div 2
	External Dimensions	W167.4mm[6.59in.] x H135mm [5.31in.] x D59.5mm [2.34in.]
	Weight	1.0kg (2.2lb) or less

CUT-OUT COMPATIBILITY

16 Years of Cut-Out Compatibility



Series	Size (mm)
GP77R Series	156x123.5
GP377R Series	
GP2000 Series	GP2300/ GP2301 Series
GP3000 Series	GP-3300 Series

Investment Protection

SOFTWARE COMPATIBILITY



POWERED BY:

Screen Editor
GP-Pro EX

HMI Development Software

ORDERING INFORMATION

ORDER NUMBER
AGP3302-B1-D24

DESCRIPTION
5.7" Blue/white LCD, USB, Serial HMI, 24VDC

OPTIONAL ACCESSORIES

CA3-USBCB-01
CA3-DFS6-01
PLC Cables & Accessories

USB download cable, PC USB port to AGP USB port
Overlay Screen protection sheet (5 sheets/pack)
See AGP3000 Connectivity Document

Xycom Automation
Ph: 734-429-4971
Fax: 734-429-1010
<http://www.xycom.com>

Customer Support Hotline:
734-944-0482

Pro-face®
XYCOM™

© 2006 Xycom Automation, LLC. Specifications may change without notice.
Xycom Automation is a trademark of Xycom Automation. Other brand or product names are the property of their respective owners.



California Proposition 65 Warning—Lead and Lead Compounds

Advertencia de la Proposición 65 de California—Plomo y compuestos de plomo

Avertissement concernant la Proposition 65 de Californie—Plomb et composés de plomb

⚠ WARNING: This product can expose you to chemicals including lead and lead compounds, which are known to the State of California to cause cancer and birth defects or other reproductive harm. For more information go to: www.P65Warnings.ca.gov.

⚠ ADVERTENCIA: Este producto puede exponerle a químicos incluyendo plomo y compuestos de plomo, que es (son) conocido(s) por el Estado de California como causante(s) de cáncer y defectos de nacimiento u otros daños reproductivos. Para mayor información, visite : www.P65Warnings.ca.gov.

⚠ AVERTISSEMENT: Ce produit peut vous exposer à des agents chimiques, y compris plomb et composés de plomb, identifiés par l'État de Californie comme pouvant causer le cancer et des malformations congénitales ou autres troubles de l'appareil reproducteur. Pour de plus amples informations, prière de consulter: www.P65Warnings.ca.gov.

All trademarks are the property of Schneider Electric SE, its subsidiaries, and affiliated companies.

Schneider Electric USA, Inc.
800 Federal Street
Andover, MA 01810 USA
888-778-2733
www.schneider-electric.us

Todas las marcas comerciales son propiedad de Schneider Electric SE, sus filiales y compañías afiliadas.

Importado en México por:
Schneider Electric México, S.A. de C.V.
Av. Ejercito Nacional No. 904
Col. Palmas, Polanco 11560 México, D.F.
55-5804-5000
www.schneider-electric.com.mx

Toutes les marques commerciales sont la propriété de Schneider Electric SE, ses filiales et compagnies affiliées.

Schneider Electric Canada, Inc.
5985 McLaughlin Road
Mississauga, ON L5R 1B8 Canada
800-565-6699
www.schneider-electric.ca