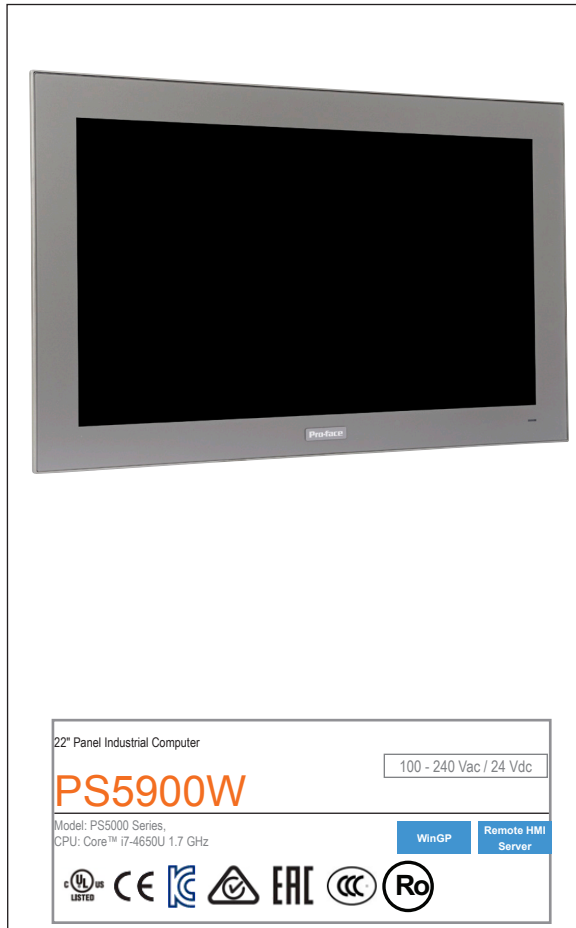


# PS5900W Performance Modular Industrial PC



**Features:**

- Core™ i7-4650U 1.7 GHz
- Fan-less Design
- Extensive Connectivity
- Modular Flexible Design
- TFT Color LCD Display
- VESA Mounting Options

**Performance Specifications**

Models	PS5000 Series (Build to Order)	
Graphics Display Resolution	Full HD TFT (1,920 x 1,080 pixels)	
Display Type & Size	TFT Color LCD 21.5" (wide 16:9)	
Display Colors	16.7 Million	
Touch Panel	Capacitive multi-touch 5 simultaneous touch (projected capacitive)	
Graphic Accelerator	Intel HD Graphics 5000	
Panel Resolution	4,096 x 4,096	
Supported OS	Windows® 7 Ultimate 64 bit MUI / Windows® Embedded Standard 7 (WES7P) 64 bit MUI / Windows® Embedded 8.1 Industry 64 bit MUI	
CPU	Core™ i7-4650U 1.7 GHz	
Main Memory	8 GB / 16 GB, DDR3L 1600 MHz, SO-DIMM SDRAM 512 KB MRAM for the user applications	
Video Memory	Up to 1.7 GB, Shared system memory	
Interfaces	Serial ATA	HDD / SSD x 2 <sup>*1</sup> CFast x 1 mSATA x 1
	Serial (COM1)	RS-232C / 422 / 485 (D-Sub 9-pin, plug)
	Ethernet (LAN1)	10/100/1000 Mbit/s (RJ-45 Modular jack)
	Ethernet (LAN2)	10/100/1000 Mbit/s (RJ-45 Modular jack)
	USB	USB 3.0 x 2, USB 2.0 x 2 (Type A)
	Video	DisplayPort (Type A) x 1
	Mini PCIe	x 2 (revision 1.2)
Expansion Slot <sup>*2</sup>	PCIe (x4) x 2 / PCI x 2 / PCI x 1 + PCIe (x4) x 1	

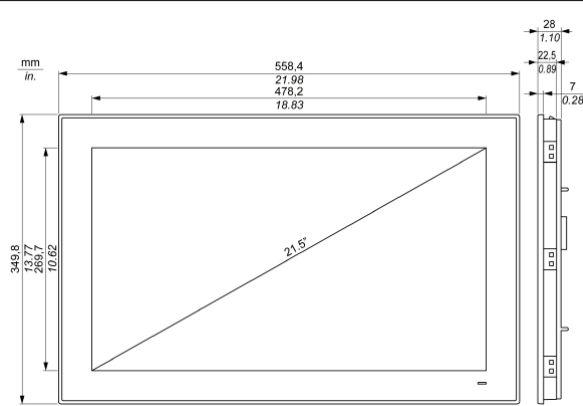
<sup>\*1</sup> When installed, an optional disk adapter unit (PFXZPBADHDD2) that is separately sold is required. <sup>\*2</sup> 2 slot model only.

**General Specifications**

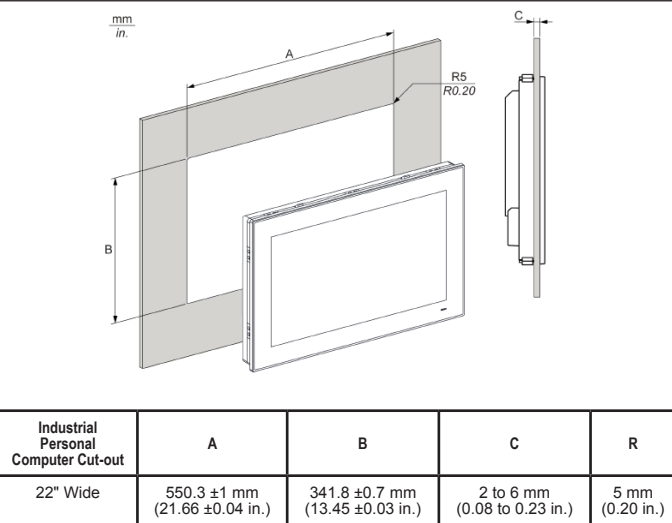
Models	PS5000W Series (Build to Order)
Input Voltage	DC Power Model: 24 Vdc ±20 % When using AC power supply unit: 100 to 240 Vac <sup>*3</sup>
Power Consumption	30.5 W (Max. 50.7 W)
In-Rush Current	8.9 A
Storage Temperature	-30 to 70° [-22 to 158°]
Concussion Resistance	IEC60068-2-27 Ea Test
Certifications	CE (EN61000-6-4, EN61000-6-2, EN61131-2), CSA/UL60950, RCM (C-Tick), EAC (GOST-R), RoHS, REACH, CCC, KC, WEEE
Surrounding Air Temperature	When using SSD / CFast running: 0 to 55° [32 to 131°] When using HDD running: 0 to 45° [32 to 113°] When using mPCI x 2 + Display module : 0 to 45° [32 to 113°] When using PCI/PCIe : 0 to 45° [32 to 113°]
Ambient/Storage Humidity	10 to 95 % RH (Wet bulb temperature: 40 °C [104 °F] max. - no condensation)
Pollution Degree	For use in pollution degree 2 environment
Installation Configuration	Panel Mounting or VESA mounting with optional kit <sup>*4</sup>
Cooling method	Passive heat sink <sup>*5</sup>
Air Pressure (altitude range)	2,000 m (6,560 ft) max
Vibration Resistance	Operation for products with SSD or CF card storage device: 5 to 500 Hz: 2 Grms Operation for products with HDD storage device: 5 to 500 Hz: 1 Grms
Electromagnetic Compatibility	Immunity to High Frequency Interference. Electromagnetic Emissions Class A
Structure	IP66 (front side of display)
Weight	0 slot: 9.7 kg (21.3 lbs.) 2 slot: 10.5 kg (23.1 lbs.)
External Dimensions	0 slot: W558.4 x H349.8 x D93.2 mm [W21.98 x H13.77 x D3.67 in.] 2 slot: W558.4 x H349.8 x D131.2 mm [W21.98 x H13.77 x D5.16 in.]
Panel Cut-Out Dimensions	W550.3 x H341.8 mm [W21.66 x H13.45 in.]
Warranty	Two (2) years

<sup>\*3</sup> For use at 100 to 240 Vac, an optional AC power adapter (PFXZPBPUAC2) that is separately sold is required <sup>\*4</sup> VESA mounting kit sold separately is required, 0 slot: PFXZPBADVS02, 2 slot: PFXZPBADVS22 <sup>\*5</sup> The operating temperature is limited to 45 C and the cooling fan is required for PCI/PCIe cards installed on board with power consumption from 3W to 6W max. for two cards or 10W max for one card.

**External Dimensions**



**Panel Cut Dimensions**



In addition to the wide variety of standard interfaces, additional interface options allow for extensive connectivity and product expansion.



See [profaceamerica.com](http://profaceamerica.com) for optional accessories.

**Ordering Information**

**PS-5900W-i7-\*\*\***

- Panel PC and Modular Displays ..... **900W: Modular Display 22" Widescreen**
- Box PC ..... **i7-16G: Box PC Core i7 16GB**  
(1xDP, 2xEth., 1xCOM, 4xUSB, MRAM)  
**i7-16G-1P1E: Box PC Core i7 16GB 1 PCI + 1 PCIe**  
(1xDP, 2xEth., 1xCOM, 4xUSB, MRAM)  
**i7-16G-2P: Box PC Core i7 16GB 2 PCI**  
(1xDP, 2xEth., 1xCOM, 4xUSB, MRAM)  
**i7-16G-2E: Box PC Core i7 16GB 2 PCIe**  
(1xDP, 2xEth., 1xCOM, 4xUSB, MRAM)  
**i7-16G-CC: Box PC Core i7 16GB Conformal Coating**  
(1xDP, 2xEth., 1xCOM, 4xUSB, MRAM)  
**i7-16G-1P1E-CC: Box PC Core i7 16GB 1 PCI + 1 PCIe Conformal Coating** (1xDP, 2xEth., 1xCOM, 4xUSB, MRAM)
- CPU Fan Kit ..... None  
F: CPU Fan Kit for expansion cards above 3W
- Power Supply ..... D: 24 vDC  
A: 100 - 240 AC
- Operating System ..... No Operating System  
WES7: Win Embedded Standard 7 (WES7P) SP1 64 bits MUI  
W764: Win7 Ultimate FES SP1 64bit En MUI  
WE8: Win8.1 Industry 64bit En MUI  
WS732: WES Win7 32bit En MUI  
W1064C: Windows 10 IoT Enterprise 64bit MUI (Celeron)  
W1064I: Windows 10 IoT Enterprise 64bit MUI (i7)
- Main Storage Device ..... SHD: HDD 500GB  
CF32: 32GB CFast  
HHD: HDD 1TB  
SSD8: SSD 128GB  
SSD16: SSD 160GB  
SSD24: SSD 240GB
- Optional Interfaces ..... No Optional Interface  
485X2: Interface - RS485 x 2 Isolated  
485X4: Interface - 4 x RS422/485  
USBX2: Interface - 2 x USB 3.0  
232X2: Interface - 2 x RS232 Isolated  
232X4: Interface - 4 x RS232  
IO: Interface - 16DI / 8DO  
AU: Interface - Audio  
CL: Interface - 1x GPRS/GSM  
ETH: Interface - Gigabit IEEE 1588 Lan  
CO: Interface - 2x CanOpen CanBus  
PF: Interface - Profibus DP Master with NVRAM  
LANX2: Interface - 2x PoE LAN
- Secondary Storage ..... No Secondary Storage  
CF32: CFast 32GB  
SHD: HDD 500GB  
HHD: HDD 1TB  
SSD8: SSD 128GB  
SSD16: SSD 160GB  
SSD24: SSD 240GB
- Software ..... No Software  
WGP: WinGP  
HMIS: Remote HMI Server  
WGPHMIS: WinGP + Remote HMI Server  
OPN15: BLUE Open Studio Runtime 1.5K tags  
OPN40: BLUE Open Studio Runtime 4K tags  
OPN64: BLUE Open Studio Runtime 64K tags
- Extended Warranty ..... None (Standard)  
One year extended  
Two year extended

**Pro-face America**

Phone: 734.477.0600

Fax: 734.864.7347

[www.profaceamerica.com](http://www.profaceamerica.com)

**Customer Service Hotline: 800.289.9266**

For more information

**ACCESS**

[www.profaceamerica.com](http://www.profaceamerica.com)



# California Proposition 65 Warning—Lead and Lead Compounds

## Advertencia de la Proposición 65 de California—Plomo y compuestos de plomo

## Avertissement concernant la Proposition 65 de Californie—Plomb et composés de plomb

**⚠ WARNING:** This product can expose you to chemicals including lead and lead compounds, which are known to the State of California to cause cancer and birth defects or other reproductive harm. For more information go to: [www.P65Warnings.ca.gov](http://www.P65Warnings.ca.gov).

**⚠ ADVERTENCIA:** Este producto puede exponerle a químicos incluyendo plomo y compuestos de plomo, que es (son) conocido(s) por el Estado de California como causante(s) de cáncer y defectos de nacimiento u otros daños reproductivos. Para mayor información, visite : [www.P65Warnings.ca.gov](http://www.P65Warnings.ca.gov).

**⚠ AVERTISSEMENT:** Ce produit peut vous exposer à des agents chimiques, y compris plomb et composés de plomb, identifiés par l'État de Californie comme pouvant causer le cancer et des malformations congénitales ou autres troubles de l'appareil reproducteur. Pour de plus amples informations, prière de consulter: [www.P65Warnings.ca.gov](http://www.P65Warnings.ca.gov).

All trademarks are the property of Schneider Electric SE, its subsidiaries, and affiliated companies.

**Schneider Electric USA, Inc.**  
800 Federal Street  
Andover, MA 01810 USA  
888-778-2733  
[www.schneider-electric.us](http://www.schneider-electric.us)

Todas las marcas comerciales son propiedad de Schneider Electric SE, sus filiales y compañías afiliadas.

Importado en México por:  
**Schneider Electric México, S.A. de C.V.**  
Av. Ejercito Nacional No. 904  
Col. Palmas, Polanco 11560 México, D.F.  
55-5804-5000  
[www.schneider-electric.com.mx](http://www.schneider-electric.com.mx)

Toutes les marques commerciales sont la propriété de Schneider Electric SE, ses filiales et compagnies affiliées.

**Schneider Electric Canada, Inc.**  
5985 McLaughlin Road  
Mississauga, ON L5R 1B8 Canada  
800-565-6699  
[www.schneider-electric.ca](http://www.schneider-electric.ca)