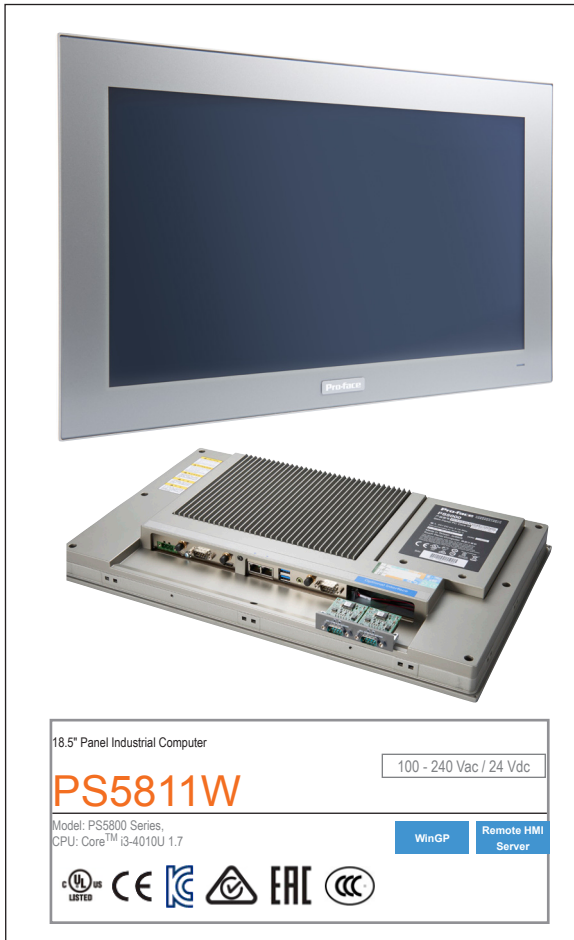


PS5811W Industrial PC



Features:

- Core™ i3-4010U 1.7 GHz
- Fan-less Design
- IP66 Compliance
- Extensive Connectivity
- Multi-touch display
- Slim Versatile Design
- TFT Color LCD Display
- Power Consumption: 60W (max.)

Performance Specifications

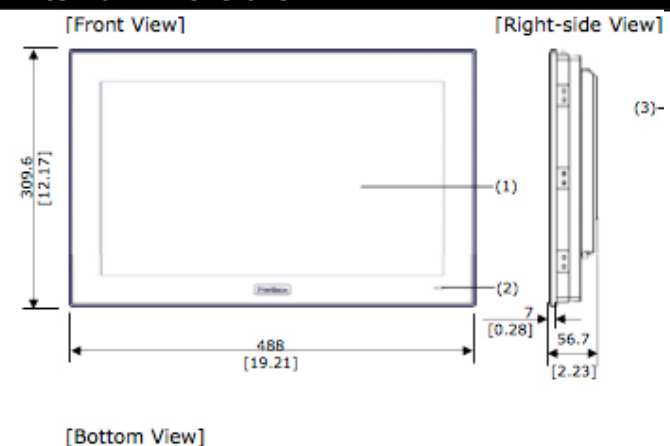
Models	PS5800 Series- Build to order (See reverse side for ordering information)	
Graphics Display Resolution	FWXGA TFT (1,366 x 768 pixels)	
Display Type and Size	TFT Color LCD (18.5-inch)	
Display Colors	16.7 Million	
Touch Panel	Multi-touch (5 point simultaneous touch) projected capacitive	
Supported OS	Windows® 7 Ultimate 64 bit MUI Windows® Embedded Standard 7 (WES7P) 64 bit MUI Windows® Embedded 8.1 Industry 64 bit MUI	
CPU	Core™ i3-4010U 1.7 GHz	
Main Memory	DDR3 : 8 GB	
Video Memory	Up to 1.7 GB	
Interfaces	Serial (COM1)	RS-232C (D-Sub 9-pin, plug)
	Serial (COM2)	RS-232C / 422 / 485 (D-Sub 9-pin, plug)
	Ethernet (LAN1)	10/100/1000 Mbit/s (RJ-45 Modular jack)
	Ethernet (LAN2)	10/100/1000 Mbit/s (RJ-45 Modular jack)
	USB (TYPE-A)	USB 3.0 x 2 (Type A)
	Video Output	HDMI x 1

General Specifications

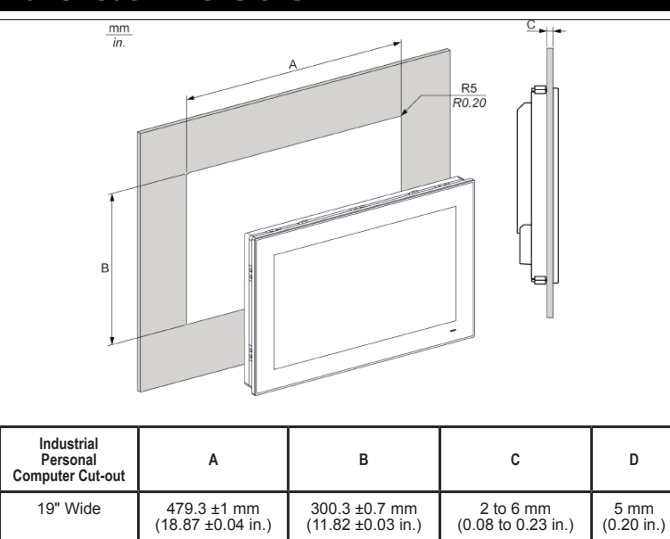
Models	PS5811W (Build to Order)
Input Voltage	AC Power Model: 100 to 240 Vac, DC Power Model: 24 Vdc ±20 % *1
Power Consumption	28 W (Max. 60 W)
In-Rush Current	7 A
Storage Temperature	- 20 to +60 °C (- 4 to +140 °F)
Operating Temperature	0...55 °C (32...131 ° F) with SSD or CFast, 0...45 °C (32...113 ° F) with HDD
Certifications	UL 60950 and CSA 60950, Industrial Control Equipment CCC, RCM and EAC or GOST-R certification .Australia: - I Standard AS/NZS CISPR11 (C-Tick), (RCM)
Surrounding Air Temperature	When using SSD / CFast running: 0 to 55°C [32 to 131 °F] When using HDD running: 0 to 45 °C [32 to 113 °F]
Ambient/Storage Humidity	10 to 95 % RH (Wet bulb temperature: 40 °C [104 °F] max. - no condensation)
Corrosive Gas	Free of corrosive gases
Air Pressure (altitude range)	2,000 m (6,560 ft) max
Vibration Resistance	Operation for products with SSD or CF card storage device: 5 to 500 Hz: 2 Grms Operation for products with HDD storage device: 5 to 500 Hz: 1 Grms
Electromagnetic Compatibility	Immunity to High Frequency Interference.Electromagnetic Emissions Class A
Structure	IP66
Weight	7.0 kg [15.44 lb]
External Dimensions	W488.0 x H309.6 x D56.7 mm [W19.21 x H12.17 x D2.23 in.]
Panel Cut-Out Dimensions	W479.3 x H300.3 mm [W18.87 x H11.82 in.]
Warranty	Two (2) years

*1 For use at 100 to 240 Vac, an optional AC/DC power adapter (PFXZPSPUAC3) that is separately sold is required.

External Dimensions



Panel Cut Dimensions



In addition to the wide variety of standard interfaces, additional interface options allow for extensive connectivity and product expansion.



Ordering Information

PS - 5811W - i3 - * * - *

Form Factor.....	Slim Type and Enclosed PS5000 Series
Product Generation.....	Second Generation
Panel PC and Modular Displays.....	811W: 15" Widescreen
Box PC.....	None (S-Panel or Enclosed Panel)
CPU.....	i3: Performance Core i3-4010U
Power Supply.....	D: 24 VDC
Memory.....	8G: 8GB RAM
Operating System.....	None WES7: Win Embedded Standard 7 Premium SP1 64bit En MUI W764: Win7 Ultimate FES SP1 64bit En MUI WE8: Windows Embedded 8.1 Industry 64 bits MUI WS1064A: Windows 10 IoT Enterprise 64bit MUI
Main Storage Device.....	SHD: HDD 500GB CF32: CFast 32GB HHD: HDD 1TB SSD8: SSD 128GB SSD16: SSD 160GB SSD24: SSD 240GB
Optional Interfaces.....	None NV: Interface - NVRAM 485X2: Interface - 2 x RS422/485 Isolated 485X4: Interface - 4 x RS422/485 232X2: Interface - 2 x RS232 Isolated 232X4: Interface - 4 x RS232 IO: Interface - 16DI / 8DO CO: Interface - 2x CanOpen CanBus PF: Interface - Profibus DP Master with NVRAM ETH: Interface - 1xEth. Gigabit IEEE1588 for IPC CL: Interface - Cellular 3G
Secondary Storage.....	None CF32: CFast 32GB SHD: HDD 500GB HHD: HDD 1TB SSD8: SSD 128GB SSD16: SSD 160GB SSD24: SSD 240GB
Software.....	None WGP: WinGP HMIS: Remote HMI Server WGPHMIS: WinGP + Remote HMI Server OPN15: BLUE Open Studio Runtime 1.5K tags OPN40: BLUE Open Studio Runtime 4K tags OPN64: BLUE Open Studio Runtime 64K tags
Extended Warranty.....	None (Standard) One year extended Two year extended

Optional Items

Part Number	Description
PFXZPPDSP192	Screen Protection Sheet for 19" (5pcs)
PFXZPBCNDC2	DC Power Supply Connector (5 pcs)
PFXZPPWG192	Gasket for W19" (1 pcs)
PFXAPPAF12P2	Installation fastner for PS5000
PFXZPSPUAC3	AC Power Supply unit for PS5000 Slim Panel PC Core

Pro-face America
 Phone: 734.477.0600
 Fax: 734.864.7347
 www.profaceamerica.com

Customer Service Hotline: 800.289.9266