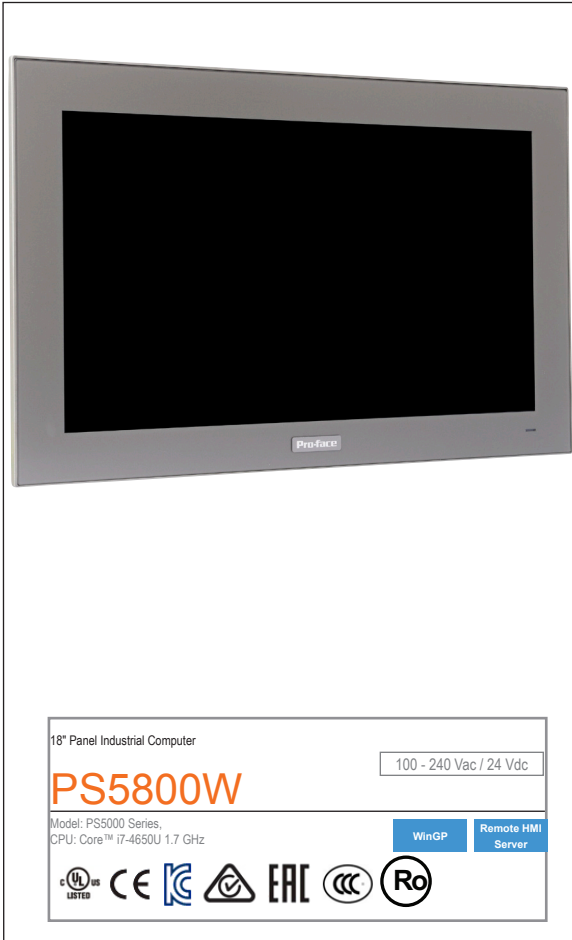


# PS5800W Performance Modular Industrial PC



**Features:**

- Core™ i7-4650U 1.7 GHz
- Fan-less Design
- Extensive Connectivity
- Modular Flexible Design
- TFT Color LCD Display
- VESA Mounting Options

**Performance Specifications**

Model	PS5000 Series (Build to Order)	
Graphics Display Resolution	FWXGA TFT(1,366 x 768 Pixels)	
Display Type & Size	TFT Color LCD 18.5" (Wide 16:9)	
Display Colors	16.7 Million	
Touch Panel	Capacitive multi-touch 5 simultaneous touch (projected capacitive)	
Graphic Accelerator:	Intel HD Graphics 5000	
Panel Resolution	4,096 x 4,096	
Supported OS	Windows® 7 Ultimate 64 bit MUI / Windows® Embedded Standard 7 (WES7P) 64 bit MUI / Windows® Embedded 8.1 Industry 64 bit MUI	
CPU	Core™ i7-4650U 1.7 GHz	
Main Memory	8 GB / 16 GB, DDR3L 1600 MHz, SO-DIMM SDRAM 512 KB MRAM for the user	
Video Memory	Up to 1.7 GB, Shared system memory	
Interfaces	Serial ATA	HDD / SSD x 2 *1 CFast x 1 mSATA x 1
	Serial (COM1)	RS-232C / 422 / 485 (D-Sub 9-pin, plug)
	Ethernet (LAN1)	10/100/1000 Mbit/s (RJ-45 Modular jack)
	Ethernet (LAN2)	10/100/1000 Mbit/s (RJ-45 Modular jack)
	USB	USB 3.0 x 2, USB 2.0 x 2 (Type A)
	Video	DisplayPort (Type A) x 1
	Mini PCIe	x 2 (revision 1.2)
	Expansion Slot *2	PCIe (x4) x 2 / PCI x 2 / PCI x 1 + PCIe (x4) x 1

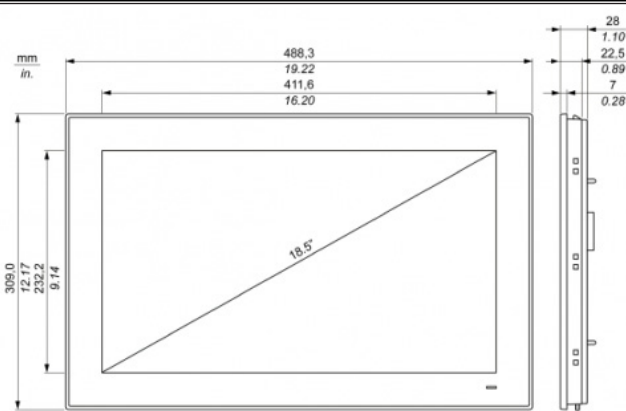
\*1 When installed, an optional disk adapter unit (PFXZPBADHDD2) that is separately sold is required. \*2 2 slot model only.

**General Specifications**

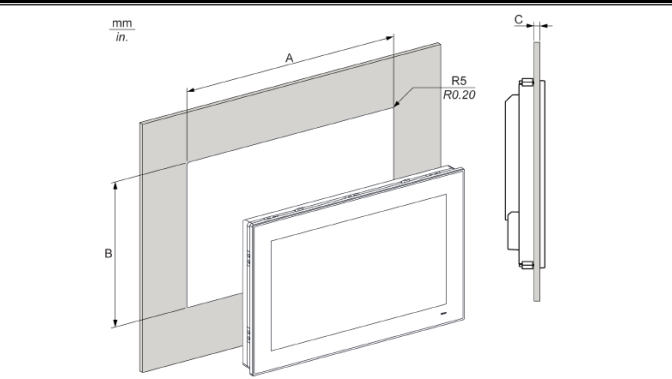
Models	PS5000 Series (Build to Order)
Input Voltage	DC Power Model: 24 Vdc ±20 % When using AC power supply unit: 100 to 240 Vac *3
Power Consumption	28.4 W (Max 48.1 W)
In-Rush Current	8.9 A
Storage Temperature	-30 to 70° [-22 to 158°]
Concussion Resistance	IEC60068-2-27 Ea Test
Certifications	CE (EN61000-6-4, EN61000-6-2, EN61131-2), CSA/UL60950, RCM (C-Tick), EAC (GOST-R), RoHS, REACH, CCC, KC, WEEE
Surrounding Air Temperature	When using SSD / CFast running: 0 to 55° [32 to 131°] When using HDD running: 0 to 45° [32 to 113°] When using mPCI x 2 + Display module : 0 to 45° [32 to 113°] When using PCI/PCIe : 0 to 45° [32 to 113°]
Ambient/Storage Humidity	10 to 95 % RH (Wet bulb temperature: 40 °C [104 °F] max. - no condensation)
Pollution Degree	For use in pollution degree 2 environment
Installation Configuration	Panel Mounting or VESA mounting with optional kit*4
Air Pressure (altitude range)	2,000 m (6,560 ft) max
Vibration Resistance	Operation for products with SSD or CF card storage device: 5 to 500 Hz: 2 Grms Operation for products with HDD storage device: 5 to 500 Hz: 1 Grms
Electromagnetic Compatibility	Immunity to High Frequency Interference.Electromagnetic Emissions Class A
Cooling method	Passive heat sink *5
Structure	IP66 (front side of display)
Weight	0 Slot: 8.3 kg [18.3 lbs] 2 Slot: 9.1 kg [20.1 lbs]
External Dimensions	0 Slot : W488.3 x H309.0 x D93.2 mm [W19.21 x H12.17 x D3.67 in.] 2 Slot : W488.3 x H309.0 x D131.2 mm [W19.21 x H12.17 x D5.16 in.]
Panel Cut-Out Dimensions	W479.3 x H300.3 mm [W18.87 x H11.82 in.]
Warranty	Two (2) years

\*3 For use at 100 to 240 Vac, an optional AC power adapter (PFXZBPBUAC2) that is separately sold is required. \*4 VESA mounting kit sold separately is required. 0 slot: PFXZPBADVS02, 2 slot: PFXZPBADVS22 \*5 The operating temperature is limited to 45 C and the cooling fan is required for PCI/PCIe cards installed on board with power consumption from 3W to 6W max. for two cards or 10W max for one card.

**External Dimensions**



**Panel Cut Dimensions**



Industrial Personal Computer Cut-out	A	B	C	R
19" Wide	479.3 ±1 mm (18.87 ±0.04 in)	300.3 ±0.7 mm (11.82 ±0.03 in)	2 to 6 mm (0.08 to 0.23 in.)	5 mm (0.20 in.)

In addition to the wide variety of standard interfaces, additional interface options allow for extensive connectivity and product expansion.



See [profaceamerica.com](http://profaceamerica.com) for optional accessories.

**Ordering Information**

**PS - 5800W - i7 - \* \* - \***

Panel PC and Modular Displays .....	<b>800W:</b> Modular Display 19" Widescreen
Box PC .....	<b>i7-16G:</b> Box PC Core i7 16GB (1xDP, 2xEth., 1xCOM, 4xUSB, MRAM) <b>i7-16G-1P1E:</b> Box PC Core i7 16GB 1 PCI + 1 PCIe (1xDP, 2xEth., 1xCOM, 4xUSB, MRAM) <b>i7-16G-2P:</b> Box PC Core i7 16GB 2 PCI (1xDP, 2xEth., 1xCOM, 4xUSB, MRAM) <b>i7-16G-2E:</b> Box PC Core i7 16GB 2 PCIe (1xDP, 2xEth., 1xCOM, 4xUSB, MRAM) <b>i7-16G-CC:</b> Box PC Core i7 16GB Conformal Coating (1xDP, 2xEth., 1xCOM, 4xUSB, MRAM) <b>i7-16G-1P1E-CC:</b> Box PC Core i7 16GB 1 PCI + 1 PCIe Conformal Coating (1xDP, 2xEth., 1xCOM, 4xUSB, MRAM)
CPU Fan Kit .....	None F: CPU Fan Kit for expansion cards above 3W
Power Supply .....	D: 24 vDC A: 100 - 240 AC
Operating System .....	No Operating System WES7: Win Embedded Standard 7 (WES7P) SP1 64 bits MUI W764: Win7 Ultimate FES SP1 64bit En MUI WE8: Win8.1 Industry 64bit En MUI WS732: WES Win7 32bit En MUI W1064C: Windows 10 IoT Enterprise 64bit MUI (Celeron) W1064I: Windows 10 IoT Enterprise 64bit MUI (i7)
Main Storage Device .....	SHD: HDD 500GB CF32: 32GB CFast HHD: HDD 1TB SSD8: SSD 128GB SSD16: SSD 160GB SSD24: SSD 240GB
Optional Interfaces .....	No Optional Interface 485X2: Interface - RS485 x 2 Isolated 485X4: Interface - 4 x RS422/485 USBX2: Interface - 2 x USB 3.0 232X2: Interface - 2 x RS232 Isolated 232X4: Interface - 4 x RS232 IO: Interface - 16DI / 8DO AU: Interface - Audio CL: Interface - 1x GPRS/GSM ETH: Interface - Gigabit IEEE 1588 Lan CO: Interface - 2x CanOpen CanBus PF: Interface - Profibus DP Master with NVRAM LANX2: Interface - 2x PoE LAN
Secondary Storage .....	No Secondary Storage CF32: CFast 32GB SHD: HDD 500GB HHD: HDD 1TB SSD8: SSD 128GB SSD16: SSD 160GB SSD24: SSD 240GB
Software .....	No Software WGP: WinGP HMIS: Remote HMI Server WGPHMIS: WinGP + Remote HMI Server OPN15: BLUE Open Studio Runtime 1.5K tags OPN40: BLUE Open Studio Runtime 4K tags OPN64: BLUE Open Studio Runtime 64K tags
Extended Warranty .....	None (Standard) One year extended Two year extended

**Pro-face America**

Phone: 734.477.0600

Fax: 734.864.7347

[www.profaceamerica.com](http://www.profaceamerica.com)

**Customer Service Hotline: 800.289.9266**

For more information

