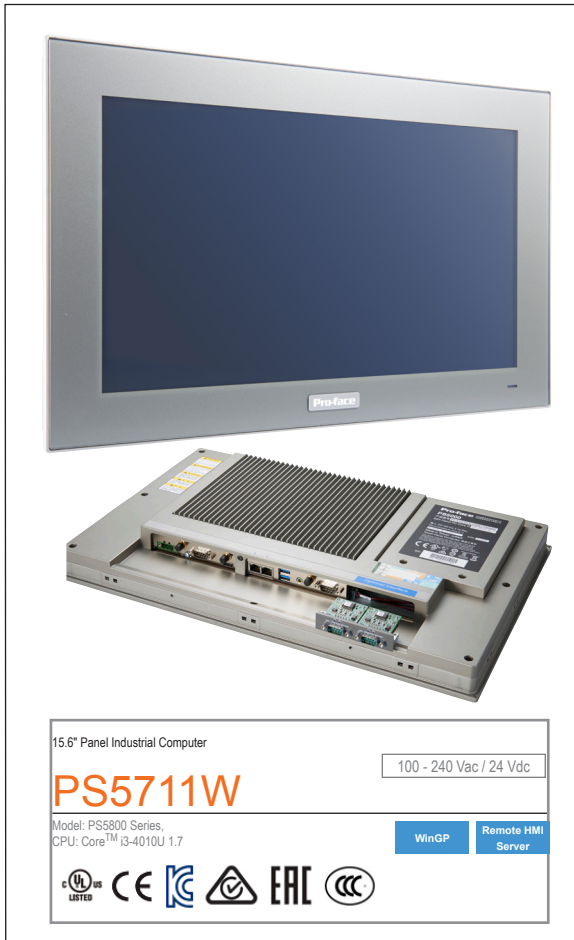


# PS5711W Industrial PC



**Features:**

- Core™ i3-4010U 1.7 GHz
- Fan-less Design
- IP66 Compliance
- Extensive Connectivity
- Multi-touch display
- Slim Versatile Design
- TFT Color LCD Display
- Power Consumption: 60W (max.)

**Performance Specifications**

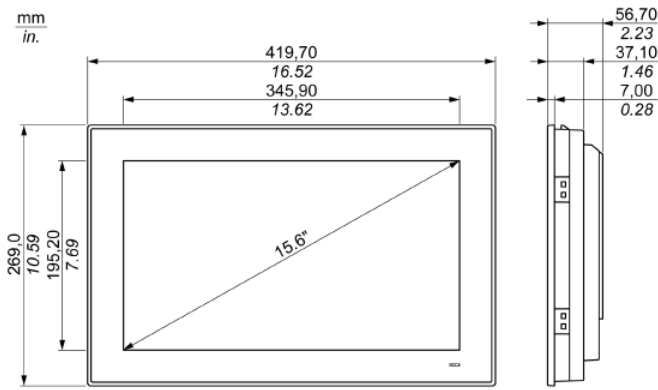
Models	PS5700 Series- Build to order (See reverse side for ordering information)	
Graphics Display Resolution	FWXGA TFT (1,366 x 768 pixels)	
Display Type and Size	TFT Color LCD (15.6-inch)	
Display Colors	16.7 Million	
Touch Panel	Multi-touch (5 point simultaneous touch) projected capacitive	
Supported OS	Windows® 7 Ultimate 64 bit MUI Windows® Embedded Standard 7 (WES7P) 64 bit MUI Windows® Embedded 8.1 Industry 64 bit MUI	
CPU	Core™ i3-4010U 1.7 GHz	
Main Memory	DDR3 : 8 GB	
Video Memory	Up to 1.7 GB	
Interfaces	Serial (COM1)	RS-232C ( D-Sub 9-pin, plug )
	Serial (COM2)	RS-232C / 422 / 485 ( D-Sub 9-pin, plug )
	Ethernet (LAN1)	10/100/1000 Mbit/s (RJ-45 Modular jack)
	Ethernet (LAN2)	10/100/1000 Mbit/s (RJ-45 Modular jack)
	USB (TYPE-A)	USB 3.0 x 2 ( Type A )
	Video Output	HDMI x 1

**General Specifications**

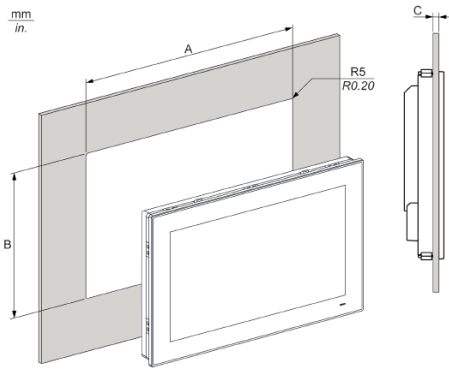
Models	PS5711W (Build to Order)
Input Voltage	AC Power Model: 100 to 240 Vac, DC Power Model: 24 Vdc ±20 % *1
Power Consumption	18 W ( Max. 60 W )
In-Rush Current	7 A
Storage Temperature	- 20 to +60 °C (- 4 to +140 °F)
Operating Temperature	0...55 °C (32...131 ° F) with SSD or CFast, 0...45 °C (32...113 ° F) with HDD
Certifications	UL 60950 and CSA 60950, Industrial Control Equipment CCC, RCM and EAC or GOST-R certification .Australia: - I Standard AS/NZS CISPR11 (C-Tick), (RCM)
Surrounding Air Temperature	When using SSD / CFast running: 0 to 55°C [32 to 131 °F] When using HDD running: 0 to 45 °C [32 to 113 °F]
Ambient/Storage Humidity	10 to 95 % RH (Wet bulb temperature: 40 °C [104 °F] max. - no condensation)
Corrosive Gas	Free of corrosive gases
Air Pressure (altitude range)	2,000 m (6,560 ft) max
Vibration Resistance	Operation for products with SSD or CF card storage device: 5 to 500 Hz: 2 Grms Operation for products with HDD storage device: 5 to 500 Hz: 1 Grms
Electromagnetic Compatibility	Immunity to High Frequency Interference.Electromagnetic Emissions Class A
Structure	IP66
Weight	6.0 kg [ 13.22 lb ]
External Dimensions	W419.7 x H269.0 x D56.7 mm [ W16.52 x H10.59 x D2.23 in. ]
Panel Cut-Out Dimensions	W412.4 x H261.7 mm [ W16.24 x H10.30 in. ]
Warranty	Two (2) years

\*1 For use at 100 to 240 Vac, an optional AC/DC power adapter (PFXZPSPUAC3) that is separately sold is required.

**External Dimensions**



**Panel Cut Dimensions**



Industrial Personal Computer Cut-out	A	B	C	R
15" Wide	412.4 ±0.7 mm (16.24 ±0.03 in.)	261.7 ±0.4 mm (10.30 ±0.02 in.)	2 to 6 mm (0.08 to 0.23 in.)	5 mm (0.20 in.)

In addition to the wide variety of standard interfaces, additional interface options allow for extensive connectivity and product expansion.



**Ordering Information**

**PS-5711W-i3-\*\*-\***

<b>Form Factor</b> .....	Slim Type and Enclosed PS5000 Series
<b>Product Generation</b> .....	Second Generation
<b>Panel PC and Modular Displays</b> .....	<b>711W:</b> 15" Widescreen
<b>Box PC</b> .....	None (S-Panel or Enclosed Panel)
<b>CPU</b> .....	<b>i3:</b> Performance Core i3-4010U
<b>Power Supply</b> .....	<b>D:</b> 24 VDC
<b>Memory</b> .....	<b>8G:</b> 8GB RAM
<b>Operating System</b> .....	None <b>WES7:</b> Win Embedded Standard 7 Premium SP1 64bit En MUI <b>W764:</b> Win7 Ultimate FES SP1 64bit En MUI <b>WE8:</b> Windows Embedded 8.1 Industry 64 bits MUI <b>WS1064A:</b> Windows 10 IoT Enterprise 64bit MUI
<b>Main Storage Device</b> .....	<b>SHD:</b> HDD 500GB <b>CF32:</b> CFast 32GB <b>HHD:</b> HDD 1TB <b>SSD8:</b> SSD 128GB <b>SSD16:</b> SSD 160GB <b>SSD24:</b> SSD 240GB
<b>Optional Interfaces</b> .....	None <b>NV:</b> Interface - NVRAM <b>485X2:</b> Interface - 2 x RS422/485 Isolated <b>485X4:</b> Interface - 4 x RS422/485 <b>232X2:</b> Interface - 2 x RS232 Isolated <b>232X4:</b> Interface - 4 x RS232 <b>IO:</b> Interface - 16DI / 8DO <b>CO:</b> Interface - 2x CanOpen CanBus <b>PF:</b> Interface - Profibus DP Master with NVRAM <b>ETH:</b> Interface - 1xEth. Gigabit IEEE1588 for IPC <b>CL:</b> Interface - Cellular 3G
<b>Secondary Storage</b> .....	None <b>CF32:</b> CFast 32GB <b>SHD:</b> HDD 500GB <b>HHD:</b> HDD 1TB <b>SSD8:</b> SSD 128GB <b>SSD16:</b> SSD 160GB <b>SSD24:</b> SSD 240GB
<b>Software</b> .....	None <b>WGP:</b> WinGP <b>HMIS:</b> Remote HMI Server <b>WGPHMIS:</b> WinGP + Remote HMI Server <b>OPN15:</b> BLUE Open Studio Runtime 1.5K tags <b>OPN40:</b> BLUE Open Studio Runtime 4K tags <b>OPN64:</b> BLUE Open Studio Runtime 64K tags
<b>Extended Warranty</b> .....	None (Standard) One year extended Two year extended

**Optional Items**

Part Number	Description
PFXZPPDSP152	Screen Protection Sheet for 15.6" (5pcs)
PFXZPBCNDC2	DC Power Supply Connector (5 pcs)
PFXZPPWG152	Gasket for W15.6" (1 pcs)
PFXAPPAF12P2	Installation fastener for PS5000
PFXZPSPUAC3	AC Power Supply unit for PS5000 Slim Panel PC Core

**Pro-face America**  
 Phone: 734.477.0600  
 Fax: 734.864.7347  
 www.profaceamerica.com

**Customer Service Hotline: 800.289.9266**