

# PS5701W Slim Industrial PC



**Features:**

- Atom™ E3827 1.75 GHz
- Fan-less Design
- IP66 Compliance
- Extensive Connectivity
- Multi-touch display
- Slim Versatile Design
- TFT Color LCD Display

**Performance Specifications**

Models	PS5000 Series- Build to order (See reverse side for ordering information)	
Graphics Display Resolution	FWXGA TFT (1,366 x 768 pixels)	
Display Type and Size	TFT Color LCD (15.6-inch) (Wide 16:9)	
Display Colors	16.7 Million	
Touch Panel	Multi-touch (5 point simultaneous touch) projected capacitive	
Graphics Accelerator:	Intel (R) HD Graphics	
Panel Resolution	4096 x 4096	
Supported OS	Windows® 7 Ultimate 64 bit MUI / Windows® Embedded Standard 7 (Premium) 64 bit MUI / Windows® Embedded 8.1 Industry 64 bit MUI	
CPU	Atom™ E3827 1.75 GHz	
Main Memory	4 GB, DDR3L 1600 MHz, SO-DIMM SDRAM	
Video Memory	Up to 1.7 GB (Shared System Memory)	
Interfaces	Serial ATA	CFAST: x 1/HDD / SSD x 1 <sup>*1</sup>
	Serial (COM1)	RS-232C ( D-Sub 9-pin, plug )
	Serial (COM2)	RS-232C / 422 / 485 (D-Sub 9-pin, plug)
	Ethernet (LAN1)	10/100/1000 Mbit/s (RJ-45 Modular jack)
	Ethernet (LAN2)	10/100/1000 Mbit/s (RJ-45 Modular jack)
	USB	USB 3.0 x 1, USB 2.0 x 1 (Type A)
	Mini PCIe	x 1 (revision 1.2) <sup>*1</sup>

<sup>\*1</sup>When installed, an optional unit (PFXZPSADSSD2) that is separately sold is required.

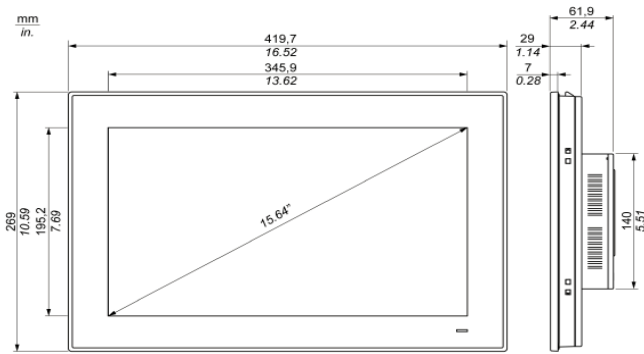
**General Specifications**

Models	PS5000 Series (Build to Order)
Input Voltage	DC Power Model: 24 Vdc ±20 % When using AC power supply unit: 100 to 240 Vac <sup>*2</sup>
Power Consumption	18 W ( Max. 30 W )
In-Rush Current	7.5 A
Storage Temperature	- 20 to +60 °C (- 4 to +140 °F)
Concussion Resistance	IEC60068-2-27 Ea Test
Certifications	CE (EN61000-6-4, EN61000-6-2, EN61131-2), CSA/UL60950, RCM (C-Tick), EAC (GOST-R), RoHS, REACH, CCC, BSMI, KC, WEEE
Surrounding Air Temperature	When using SSD / CFAST running: 0 to 55°C [32 to 131 °F] When using HDD running: 0 to 45 °C [32 to 113 °F]
Ambient/Storage Humidity	10 to 95 % RH (Wet bulb temperature: 40 °C [104 °F] max. - no condensation)
Pollution Degree	For use in pollution degree 2 environment
Cooling method	Passive heat sink
Mounting	Panel Mounting or VESA mounting with optional kit <sup>*3</sup>
Air Pressure (altitude range)	2,000 m (6,560 ft) max
Vibration Resistance	Operation for products with SSD or CF card storage device: 5 to 500 Hz: 2 Grms Operation for products with HDD storage device: 5 to 500 Hz: 1 Grms
Electromagnetic Compatibility	Immunity to High Frequency Interference.Electromagnetic Emissions Class A
Structure	IP66 (front side of display)
Weight	3.9 kg [8.6 lb]
External Dimensions	W419.7 x H269.0 x D61.9 mm [W16.52 x H10.59 x D2.44 in.]
Panel Cut-Out Dimensions	W412.4 x H261.7 mm [W16.24 x H10.30 in.]
Warranty	Two (2) years

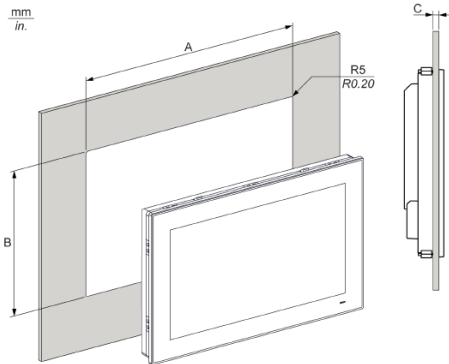
<sup>2</sup> For use at 100 to 240 Vac, an optional AC power adapter (PFXZPSPUAC2) that is separately sold is required.

<sup>3</sup> For VESA mounting, optional kit PFXZPSADVS152 (sold separately) is required..

**External Dimensions**



**Panel Cut Dimensions**



Industrial Personal Computer Cut-out	A	B	C	R
15" Wide	412.4 ±0.7 mm (16.24 ±0.03 in.)	261.7 ±0.4 mm (10.30 ±0.02 in.)	2 to 6 mm (0.08 to 0.23 in.)	5 mm (0.20 in.)

In addition to the wide variety of standard interfaces, additional interface options allow for extensive connectivity and product expansion.



**Ordering Information**

**PS-5701W-A-\*\*-\*\***

Form Factor	Slim Type Panel PC Atom
Product Generation	Second Generation
Panel PC and Modular Displays	701W: Slim Type Panel PC 10" Widescreen
Box PC	None (S-Panel or Enclosed Panel)
CPU	A: ATOM-E3827 Fanless
Power Supply	D: 24 VDC
Memory	4G: 4GB
Operating System	None WES7: Win Embedded Standard 7 Premium SP1 64bit En MUI W764: Win7 Ultimate FES SP1 64bit En MUI WE8: Windows Embedded 8.1 Industry 64 bits MUI WS1064A: Windows 10 IoT Enterprise 64bit MUI
Main Storage Device	SHDE: HDD 500GB with expansion kit CF32: CFast 32GB CF32E: CFast 32GB with expansion kit HHDE: HDD 1TB with expansion kit SSD8E: SSD 128GB with expansion kit SSD16E: SSD 160GB (or larger) with expansion kit SSD24E: SSD 240GB with expansion kit EXA: Expansion kit only
Optional Interfaces	None NV: Interface - NVRAM 485X2: Interface - 2 x RS422/485 Isolated 485X4: Interface - 4 x RS422/485 232X2: Interface - 2 x RS232 Isolated 232X4: Interface - 4 x RS232 IO: Interface - 16DI / 8DO CO: Interface - 2x CanOpen CanBus PF: Interface - Profibus DP Master with NVRAM ETH: Interface - 1xEth. Gigabit IEEE1588 for IPC USBX2: Interface - 2 x USB 3.0 CL: Interface - Cellular 3G
Secondary Storage	None CF32: CFast 32GB SHD: HDD 500GB HHD: HDD 1TB SSD8: SSD 128GB SSD16: SSD 160GB SSD24: SSD 240GB
Software	None WGP: WinGP HMIS: Remote HMI Server WGPHMIS: WinGP + Remote HMI Server OPN15: BLUE Open Studio Runtime 1.5K tags OPN40: BLUE Open Studio Runtime 4K tags OPN64: BLUE Open Studio Runtime 64K tags
Extended Warranty	None (Standard) One year extended Two year extended

**Optional Items**

Part Number	Description
PFXZPPDSP152	Screen Protection Sheet for 15.6" (5pcs)
PFXZPPWG152	Gasket for W15.6" (1 pcs)
PFXAPPAF12P2	Installation fastener for PS5000
PFXZPSADVS152	VESA mounting kit

**Pro-face America**

Phone: 734.477.0600

Fax: 734.864.7347

www.profaceamerica.com

**Customer Service Hotline: 800.289.9266**