

PS5701W Slim Industrial PC



Features:

- Atom™ E3827 1.75 GHz
- Fan-less Design
- IP66 Compliance
- Extensive Connectivity
- Multi-touch display
- Slim Versatile Design
- TFT Color LCD Display

Performance Specifications

Models	PS5000 Series- Build to order (See reverse side for ordering information)	
Graphics Display Resolution	FWXGA TFT (1,366 x 768 pixels)	
Display Type and Size	TFT Color LCD (15.6-inch) (Wide 16:9)	
Display Colors	16.7 Million	
Touch Panel	Multi-touch (5 point simultaneous touch) projected capacitive	
Graphics Accelerator:	Intel (R) HD Graphics	
Panel Resolution	4096 x 4096	
Supported OS	Windows® 7 Ultimate 64 bit MUI / Windows® Embedded Standard 7 (Premium) 64 bit MUI / Windows® Embedded 8.1 Industry 64 bit MUI	
CPU	Atom™ E3827 1.75 GHz	
Main Memory	4 GB, DDR3L 1600 MHz, SO-DIMM SDRAM	
Video Memory	Up to 1.7 GB (Shared System Memory)	
Interfaces	Serial ATA	CFAST: x 1/HDD / SSD x 1 ^{*1}
	Serial (COM1)	RS-232C (D-Sub 9-pin, plug)
	Serial (COM2)	RS-232C / 422 / 485 (D-Sub 9-pin, plug)
	Ethernet (LAN1)	10/100/1000 Mbit/s (RJ-45 Modular jack)
	Ethernet (LAN2)	10/100/1000 Mbit/s (RJ-45 Modular jack)
	USB	USB 3.0 x 1, USB 2.0 x 1 (Type A)
	Mini PCIe	x 1 (revision 1.2) ^{*1}

^{*1}When installed, an optional unit (PFXZPSADSSD2) that is separately sold is required.

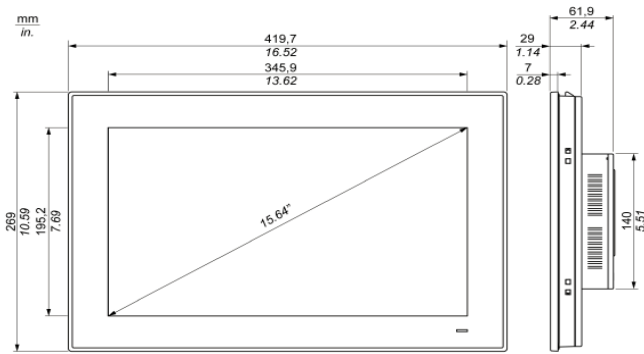
General Specifications

Models	PS5000 Series (Build to Order)
Input Voltage	DC Power Model: 24 Vdc ±20 % When using AC power supply unit: 100 to 240 Vac ^{*2}
Power Consumption	18 W (Max. 30 W)
In-Rush Current	7.5 A
Storage Temperature	- 20 to +60 °C (- 4 to +140 °F)
Concussion Resistance	IEC60068-2-27 Ea Test
Certifications	CE (EN61000-6-4, EN61000-6-2, EN61131-2), CSA/UL60950, RCM (C-Tick), EAC (GOST-R), RoHS, REACH, CCC, BSMI, KC, WEEE
Surrounding Air Temperature	When using SSD / CFAST running: 0 to 55°C [32 to 131 °F] When using HDD running: 0 to 45 °C [32 to 113 °F]
Ambient/Storage Humidity	10 to 95 % RH (Wet bulb temperature: 40 °C [104 °F] max. - no condensation)
Pollution Degree	For use in pollution degree 2 environment
Cooling method	Passive heat sink
Mounting	Panel Mounting or VESA mounting with optional kit ^{*3}
Air Pressure (altitude range)	2,000 m (6,560 ft) max
Vibration Resistance	Operation for products with SSD or CF card storage device: 5 to 500 Hz: 2 Grms Operation for products with HDD storage device: 5 to 500 Hz: 1 Grms
Electromagnetic Compatibility	Immunity to High Frequency Interference.Electromagnetic Emissions Class A
Structure	IP66 (front side of display)
Weight	3.9 kg [8.6 lb]
External Dimensions	W419.7 x H269.0 x D61.9 mm [W16.52 x H10.59 x D2.44 in.]
Panel Cut-Out Dimensions	W412.4 x H261.7 mm [W16.24 x H10.30 in.]
Warranty	Two (2) years

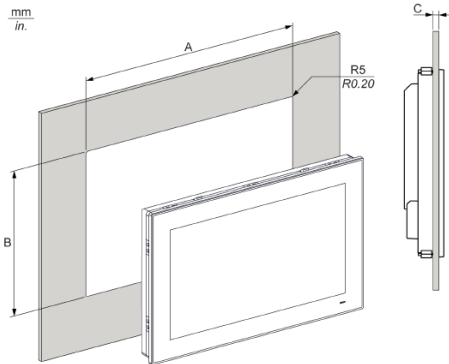
² For use at 100 to 240 Vac, an optional AC power adapter (PFXZPSPUAC2) that is separately sold is required.

³ For VESA mounting, optional kit PFXZPSADVS152 (sold separately) is required..

External Dimensions



Panel Cut Dimensions



Industrial Personal Computer Cut-out	A	B	C	R
15" Wide	412.4 ±0.7 mm (16.24 ±0.03 in.)	261.7 ±0.4 mm (10.30 ±0.02 in.)	2 to 6 mm (0.08 to 0.23 in.)	5 mm (0.20 in.)

In addition to the wide variety of standard interfaces, additional interface options allow for extensive connectivity and product expansion.



Ordering Information

PS-5701W-A--****

Form Factor	Slim Type Panel PC Atom
Product Generation	Second Generation
Panel PC and Modular Displays	701W: Slim Type Panel PC 15" Widescreen
Box PC	N: None (S-Panel)
CPU	A: Atom™ E3827 1.75 GHz
Power Supply	D: DC
Memory	4G: 4 GB
Operating System	None
	WES7: WES7 Premium SP1 64bit En MUI
	W764: Win7 Ultimate FES SP1 64bit En MUI
	WE8: Win8.1 Industry 64bit En MUI
Main Storage Device	None
	CF32: CFast 32GB
	CF32E: CFast 32GB with expansion kit
	SHDE: HDD 500GB with expansion kit
	HHDE: HDD 1TB with expansion kit
	SSD8E: SSD 80GB with expansion kit
	SSD16E: SSD 160GB with expansion kit
	SSD24E: SSD 240GB with expansion kit
	EXA: Expansion kit only
Optional Interfaces	None
	NV: Interface - NVRAM
	485X2: Interface - 2 x RS422/485 Isolated
	485X4: Interface - 4 x RS422/485
	232X2: Interface - 2 x RS232 Isolated
	232X4: Interface - 4 x RS232
	IO: Interface - 16DI / 8DO
	CO: Interface - 2x CanOpen CanBus
	PF: Interface - Profibus DP Master with NVRAM
	ETH: Interface - 1xEth. Gigabit IEEE1588 for IPC
	USBX2: Interface - 2 x USB 3.0
	CL: Interface - 1x GPRS/GSM
Secondary Storage	N: None
	CF32: CFast 32GB
	SHD: HDD 500GB
	HHD: HDD 1TB
	SSD8: SSD 80GB
	SSD16: SSD 160GB
	SSD24: SSD 240GB
Software	None
	WGP: WinGP
	HMIS Remote HMI Server
	WGPHMIS: WinGP + Remote HMI Server
	OPN15: BLUE Open Studio Runtime 1.5K tags
	OPN40: BLUE Open Studio Runtime 4K tags
	OPN64: BLUE Open Studio Runtime 64K tags
Extended Warranty	None (2 year standard)
	One year extended
	Two year extended

Optional Items

Part Number	Description
PFXZPPDSP152	Screen Protection Sheet for 15.6" (5pcs)
PFXZPPWG152	Gasket for W15.6" (1 pcs)
PFXAPPAF12P2	Installation fastener for PS5000
PFXZPSADVS152	VESA mounting kit

Pro-face America
 Phone: 734.477.0600
 Fax: 734.864.7347
 www.profaceamerica.com

Customer Service Hotline: 800.289.9266

