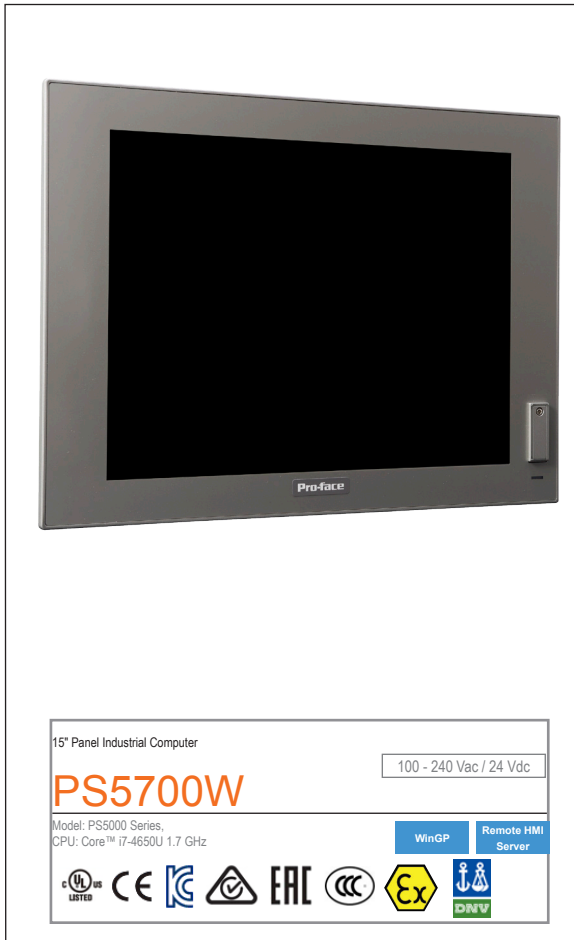


# PS5700W Performance Modular Industrial PC



**Features:**

- Core™ i7-4650U 1.7 GHz
- Fan-less Design
- Extensive Connectivity
- Modular Flexible Design
- TFT Color LCD Display
- VESA Mounting Options

**Performance Specifications**

Models	PS5000 Series (Build to Order)	
Graphics Display Resolution	FWXGA TFT (1,366 x 768 pixels)	
Display Type & Size	TFT Color LCD (15.6-inch) (wide 16:9)	
Display Colors	16.7 Million	
Touch Panel	Capacitive multi-touch 5 simultaneous touch (projected capacitive)	
Panel Resolution	4,096 x 4,096	
Graphic Accelerator	Intel HD Graphics 5000	
Supported OS	Windows® 7 Ultimate 64 bit MUI / Windows® Embedded Standard 7 (WES7P) 64 bit MUI / Windows® Embedded 8.1 Industry 64 bit MUI	
CPU	Core™ i7-4650U 1.7 GHz	
Main Memory	8 GB / 16 GB, DDR3L 1600 MHz, SO-DIMM SDRAM 512 KB MRAM for the user	
Video Memory	Up to 1.7 GB, Shared system memory	
Interfaces	Serial ATA	HDD / SSD x 2 *1 CFast x 1 mSATA x 1
	Serial (COM1)	RS-232C / 422 / 485 (D-Sub 9-pin, plug)
	Ethernet (LAN1)	10/100/1000 Mbit/s (RJ-45 Modular jack)
	Ethernet (LAN2)	10/100/1000 Mbit/s (RJ-45 Modular jack)
	USB	USB 3.0 x 2, USB 2.0 x 2 (Type A)
	Video	DisplayPort (Type A) x 1
	Mini PCIe	x 2 (revision 1.2)
	Expansion Slot *2	PCIe (x4) x 2 / PCI x 2 / PCI x 1 + PCIe (x4) x 1

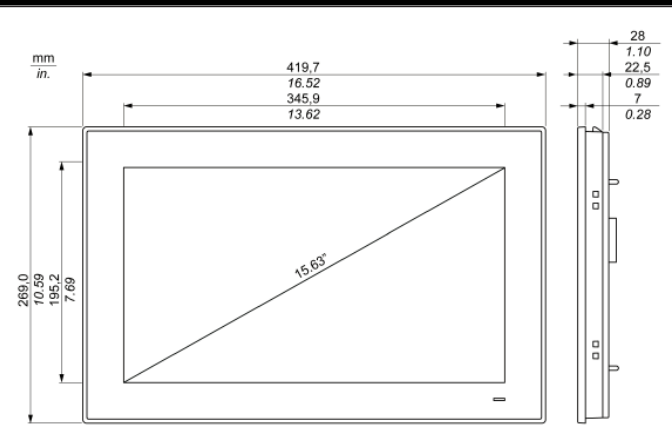
\*1 When installed, an optional disk adapter unit (PFXPBADHDD2) that is separately sold is required. \*2 2 slot model only.

**General Specifications**

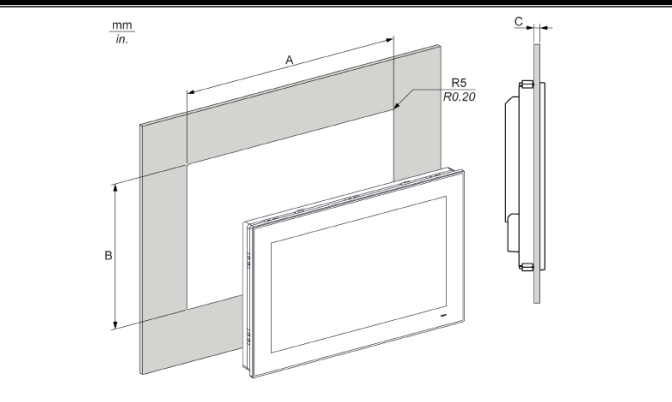
Models	PS5000 Series (Build to Order)
Input Voltage	DC Power Model: 24 Vdc ±20 % When using AC power supply unit: 100 to 240 Vac *3
Power Consumption	27.1 W (Max. 46.1 W)
In-Rush Current	8.9 A
Storage Temperature	-30 to 70° [-22 to 158°]
Concussion Resistance	IEC60068-2-27 Ea Test
Certifications	Class 1 Div 2, CE (EN61000-6-4, EN61000-6-2, EN61131-2), CSA/UL61010, ATEX, Marine (DNV), RCM (C-Tick), EAC (GOST-R), RoHS, REACH, CCC, KC, WEEE
Surrounding Air Temperature	When using SSD / CFast running: 0 to 55° [32 to 131°] When using HDD running: 0 to 45° [32 to 113°] When using mPCI x 2 + Display module : 0 to 45° [32 to 113°] When using PCI/PCIe : 0 to 45° [32 to 113°]
Ambient/Storage Humidity	10 to 95 % RH (Wet bulb temperature: 40 °C [104 °F] max. - no condensation)
Pollution Degree	For use in pollution degree 2 environment
Installation Configuration	Panel Mounting or VESA mounting with optional kit*4
Cooling method	Passive heat sink*5
Air Pressure (altitude range)	2,000 m (6,560 ft) max
Vibration Resistance	Operation for products with SSD or CF card storage device: 5 to 500 Hz: 2 Grms Operation for products with HDD storage device: 5 to 500 Hz: 1 Grms
Electromagnetic Compatibility	Immunity to High Frequency Interference.Electromagnetic Emissions Class A
Structure	IP66 (front side of display)
Weight	0 slot: 7.4 kg (16.3 lbs.) 2 slot: 8.2 kg (18.1 lbs.)
External Dimensions	0 slot: W419.7 x H269.0 x D93.2 mm [W16.52 x H10.59 x D3.67 in.] 2 slot: W419.7 x H269.0 x D131.2 mm [W16.52 x H10.59 x D5.16 in.]
Panel Cut-Out Dimensions	W412.4 x H261.7 mm [W16.24 x H10.30 in.]
Warranty	Two (2) years

\*3 For use at 100 to 240 Vac, an optional AC power adapter (PFXPBPAC2) that is separately sold is required. \*4 VESA mounting kit sold separately is required, 0 slot: PFXPBADVS02, 2 slot: PFXPBADVS22 \*5 The operating temperature is limited to 45 C and the cooling fan is required for PCI/PCIe cards installed on board with power consumption from 3W to 6W max. for two cards or 10W max for one card.

**External Dimensions**



**Panel Cut Dimensions**



Industrial Personal Computer Cut-out	A	B	C	R
15" Wide	412.4 ±0.7 mm (16.24 ±0.03 in)	261.7 ±0.4 mm (10.30 ±0.02 in)	2 to 6 mm (0.08 to 0.23 in.)	5 mm (0.20 in.)

In addition to the wide variety of standard interfaces, additional interface options allow for extensive connectivity and product expansion.



See [profaceamerica.com](http://profaceamerica.com) for optional accessories.

**Ordering Information**

**PS5700W-i7-\*\*\***

- Panel PC and Modular Displays**..... **700W**: Modular Display 15" Widescreen
- Box PC**.....
  - i7-8G**: Box PC Core i7 8GB (1xDP, 2xEth., 1xCOM, 4xUSB, MRAM)
  - i7-16G**: Box PC Core i7 16GB (1xDP, 2xEth., 1xCOM, 4xUSB, MRAM)
  - i7-8G-1P1E**: Box PC Core i7 8GB 1 PCI + 1 PCIe (1xDP, 2xEth., 1xCOM, 4xUSB, MRAM)
  - i7-8G-2P**: Box PC Core i7 8GB 2 PCI (1xDP, 2xEth., 1xCOM, 4xUSB, MRAM)
  - i7-8G-2E**: Box PC Core i7 8GB 2 PCIe (1xDP, 2xEth., 1xCOM, 4xUSB, MRAM)
  - i7-16G-1P1E**: Box PC Core i7 16GB 1 PCI + 1 PCIe (1xDP, 2xEth., 1xCOM, 4xUSB, MRAM)
  - i7-16G-2P**: Box PC Core i7 16GB 2 PCI (1xDP, 2xEth., 1xCOM, 4xUSB, MRAM)
  - i7-16G-2E**: Box PC Core i7 16GB 2 PCIe (1xDP, 2xEth., 1xCOM, 4xUSB, MRAM)
  - i7-16G-CC**: Box PC Core i7 16GB Conformal Coating (1xDP, 2xEth., 1xCOM, 4xUSB, MRAM)
  - i7-16G-1P1E-CC**: Box PC Core i7 16GB 1 PCI + 1 PCIe Conformal Coating (1xDP, 2xEth., 1xCOM, 4xUSB, MRAM)
- CPU Fan Kit** ..... None
  - F**: CPU Fan Kit for expansion cards above 3W
- Power Supply**.....
  - D**: 24 vDC
  - A**: 100 - 240 AC
- Operating System**.....
  - None
  - WES7**: Windows Embedded Standard 7 (WES7P) SP1 64 bits MUI
  - W764**: Win7 Ultimate FES SP1 64bit En MUI
  - WE8**: Win8.1 Industry 64bit En MUI
- Main Storage Device** .....
  - None
  - CF32**: CFast 32GB
  - SHD**: HDD 500GB
  - HHD**: HDD 1TB
  - SSD8**: SSD 80GB
  - SSD16**: SSD 160GB
  - SSD24**: SSD 240GB
- Optional Interfaces** .....
  - None
  - 485X2**: Interface - RS485 x 2 Isolated
  - 485X4**: Interface - 4 x RS422/485
  - USBX2**: Interface - 2 x USB 3.0
  - 232X2**: Interface - 2 x RS232 Isolated
  - 232X4**: Interface - 4 x RS232
  - IO**: Interface - 16DI / 8DO
  - AU**: Interface - Audio
  - CL**: Interface - 1x GPRS/GSM
  - ETH**: Interface - Gigabit IEEE 1588 Lan
  - CO**: Interface - 2x CanOpen CanBus
  - PF**: Interface - Profibus DP Master with NVRAM
  - LANX2**: Interface - 2x PoE LAN
- Secondary Storage** .....
  - None
  - CF32**: CFast 32GB
  - SHD**: HDD 500GB
  - HHD**: HDD 1TB
  - SSD8**: SSD 80GB
  - SSD16**: SSD 160GB
  - SSD24**: SSD 240GB
- Software** .....
  - None
  - WGP**: WinGP
  - HMIS**: Remote HMI Server
  - WGPHMIS**: WinGP + Remote HMI Server
  - OPN15**: BLUE Open Studio Runtime 1.5K tags
  - OPN40**: BLUE Open Studio Runtime 4K tags
  - OPN64**: BLUE Open Studio Runtime 64K tags
- Extended Warranty**.....
  - None (2 year standard)
  - One year extended
  - Two year extended