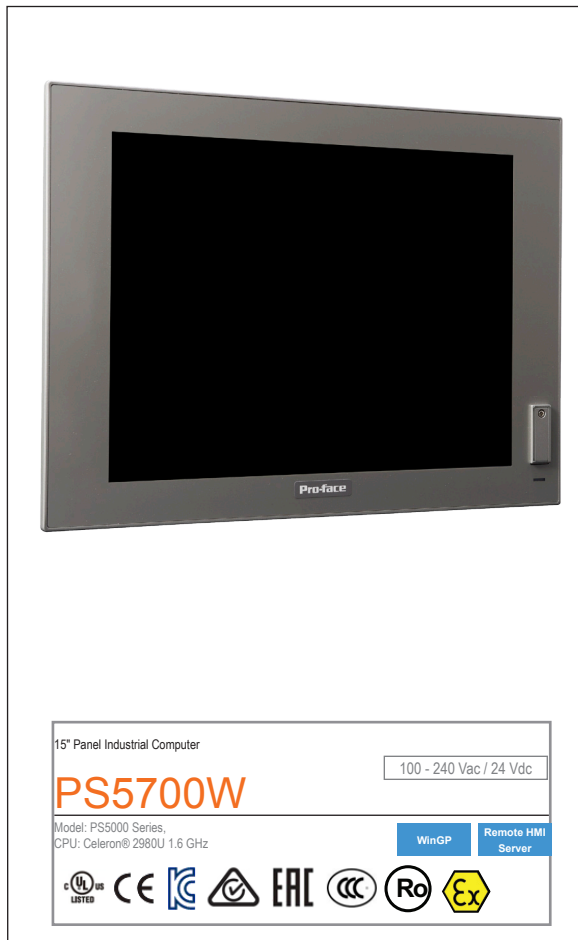


# PS5700W Universal Modular Industrial PC



### Features:

- Celeron® 2980U 1.6 GHz
- Fan-less Design
- Extensive Connectivity
- Modular Flexible Design
- TFT Color LCD Display
- VESA Mounting Options

### Performance Specifications

Models	PS5000 Series (Build to Order)	
Graphics Display Resolution	FWXGA TFT (1,366 x 768 pixels)	
Display Type & Size	TFT Color LCD 15.6" (wide 16:9)	
Display Colors	16.7 Million	
Touch Panel	Capacitive multi-touch 5 simultaneous touch (projected capacitive)	
Graphic Accelerator	Intel HD Graphics	
Panel Resolution	4096 x 4096	
Supported OS	Windows® 7 Ultimate 64 bit MUI / Windows® Embedded Standard 7 (WES7P) 64 bit MUI / Windows® Embedded 8.1 Industry 64 bit MUI	
CPU	Celeron® 2980U 1.6 GHz	
Main Memory	4 GB / 8 GB, DDR3L 1600 MHz, SO-DIMM SDRAM 512 KB MRAM for the user	
Video Memory	Up to 1.7 GB (Shared system memory)	
Interfaces	Serial ATA	HDD / SSD x 2 <sup>*1</sup> CFast x 1 mSATA x 1
	Serial (COM1)	RS-232C / 422 / 485 (D-Sub 9-pin, plug)
	Ethernet (LAN1)	10/100/1000 Mbit/s (RJ-45 Modular jack)
	Ethernet (LAN2)	10/100/1000 Mbit/s (RJ-45 Modular jack)
	USB	USB 3.0 x 2, USB 2.0 x 2 (Type A)
	Video	DisplayPort (Type A) x 1
	Mini PCIe	x 2 (revision 1.2)
	Expansion Slot <sup>*2</sup>	PCIe (x4) x 2 / PCI x 2 / PCI x 1 + PCIe (x4) x 1

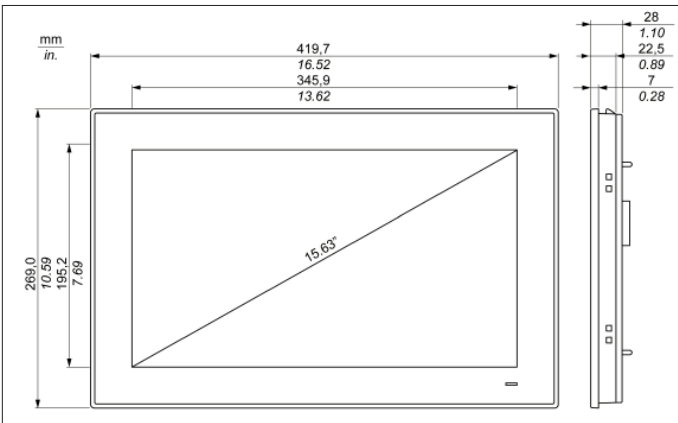
<sup>\*1</sup> When installed, an optional disk adapter unit (PFXZPBADHDD2) that is separately sold is required. <sup>\*2</sup> 2 slot model only.

### General Specifications

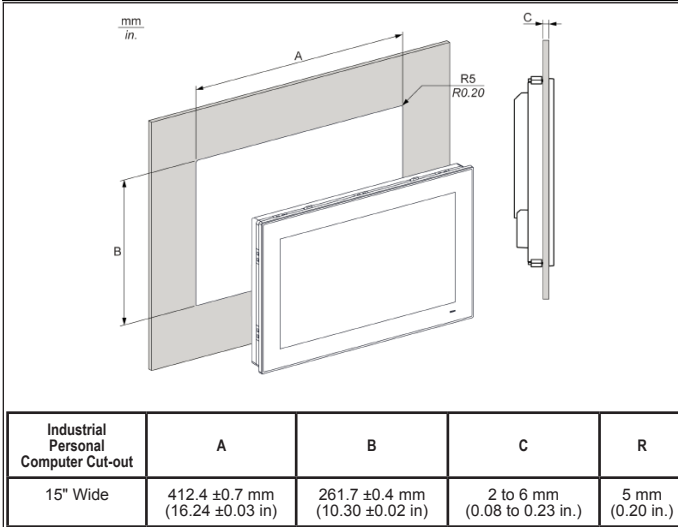
Models	PS5000 Series (Build to Order)
Input Voltage	DC Power Model: 24 Vdc ±20 % When using AC power supply unit: 100 to 240 Vac <sup>*3</sup>
Power Consumption	26.6 W (Max. 40.9 W)
In-Rush Current	8.9 A
Storage Temperature	-30 to 70° [-22 to 158°]
Certifications	Class 1 Div 2, CE (EN61000-6-4, EN61000-6-2, EN61131-2), CSA/UL61010, RCM (C-Tick), EAC (GOST-R), RoHS, REACH, CCC, KC, WEEE, ATEX
Concussion Resistance	IEC60068-2-27 Ea Test
Pollution Degree	For use in pollution degree 2 environment
Surrounding Air Temperature	When using SSD / CFast running: 0 to 55° [32 to 131°] When using HDD running: 0 to 45° [32 to 113°] When using mPCI x 2 + Display module : 0 to 45° [32 to 113°] When using PCI/PCIe : 0 to 45° [32 to 113°]
Ambient/Storage Humidity	10 to 95 % RH (Wet bulb temperature: 40 °C [104 °F] max. - no condensation)
Installation Configuration	Panel Mounting or VESA mounting with optional kit <sup>*4</sup>
Cooling method	Passive heat sink <sup>*5</sup>
Air Pressure (altitude range)	2,000 m (6,560 ft) max
Vibration Resistance	Operation for products with SSD or CF card storage device: 5 to 500 Hz: 2 Grms Operation for products with HDD storage device: 5 to 500 Hz: 1 Grms
Electromagnetic Compatibility	Immunity to High Frequency Interference Electromagnetic Emissions Class A
Structure	IP66 (front side of display)
Weight	0 slot: 7.4 kg (16.3 lbs.) 2 slot: 8.2 kg (18.1 lbs.)
External Dimensions	0 slot: W419.7 x H269.0 x D93.2 mm [W16.52 x H10.59 x D3.67 in.] 2 slot: W419.7 x H269.0 x D131.2 mm [W16.52 x H10.59 x D5.16 in.]
Panel Cut-Out Dimensions	W412.4 x H261.7 mm [W16.24 x H10.30 in.]
Warranty	Two (2) years

<sup>\*3</sup> For use at 100 to 240 Vac, an optional AC power adapter (PFXZPBPUAC2) that is separately sold is required. <sup>\*4</sup> VESA mounting kit sold separately is required, 0 slot: PFXZPBADV502, 2 slot: PFXZPBADV522 <sup>\*5</sup> The operating temperature is limited to 45 °C and the cooling fan is required for PCI/PCIe cards installed on board with power consumption from 3W to 6W max. for two cards or 10W max for one card.

**External Dimensions**



**Panel Cut Dimensions**



In addition to the wide variety of standard interfaces, additional interface options allow for extensive connectivity and product expansion.



See [profaceamerica.com](http://profaceamerica.com) for optional accessories.

**Ordering Information**

**PS5700W-CE-\*\*-\***

- Panel PC and Modular Displays**..... **700W**: Modular Display 15" Widescreen
- Box PC**..... **CE-4G**: Box PC Celeron 4GB (1xDP, 2xEth., 1xCOM, 4xUSB, MRAM)  
**CE-8G**: Box PC Celeron 8GB (1xDP, 2xEth., 1xCOM, 4xUSB, MRAM)  
**CE-4G-1P1E**: Box PC Celeron 4GB 1 PCI + 1 PCIe (1xDP, 2xEth., 1xCOM, 4xUSB, MRAM)  
**CE-8G-1P1E-CC**: Box PC Celeron 8GB-RAM, 1 PCI+1 PCIe Conformal Coating (1xDP, 2xEth., 1xCOM, 4xUSB, MRAM)  
**CE-4G-2P**: Box PC Celeron 4GB-RAM, 2 PCI (1xDP, 2xEth., 1xCOM, 4xUSB, MRAM)  
**CE-8G-2P**: Box PC Celeron 8GB-RAM, 2 PCI (1xDP, 2xEth., 1xCOM, 4xUSB, MRAM)  
**CE-4G-2E**: Box PC Celeron 4GB-RAM, 2 PCIe (1xDP, 2xEth., 1xCOM, 4xUSB, MRAM)  
**CE-8G-2E**: Box PC Celeron 8GB-RAM, 2 PCIe (1xDP, 2xEth., 1xCOM, 4xUSB, MRAM)
- CPU Fan Kit** ..... None  
**F**: CPU Fan Kit for expansion cards above 3W
- Power Supply**..... **D**: 24 vDC  
**A**: 100 - 240 AC
- Operating System**..... None  
**WES7**: Windows Embedded Standard 7 (WES7P) SP1 64 bits MUI  
**W764**: Win7 Ultimate FES SP1 64bit En MUI  
**WE8** : Win8.1 Industry 64bit En MUI
- Main Storage Device** ..... None  
**CF32**: CFast 32GB  
**SHD**: HDD 500GB  
**HHD**: HDD 1TB  
**SSD8**: SSD 80GB  
**SSD16**: SSD 160GB  
**SSD24**: SSD 240GB
- Optional Interfaces** ..... None  
**485X2**: Interface - RS485 x 2 Isolated  
**485X4**: Interface - 4 x RS422/485  
**USBX2**: Interface - 2 x USB 3.0  
**232X2**: Interface - 2 x RS232 Isolated  
**232X4**: Interface - 4 x RS232  
**IO**: Interface - 16DI / 8DO  
**AU**: Interface - Audio  
**CL**: Interface - 1x GPRS/GSM  
**ETH**: Interface - Gigabit IEEE 1588 Lan  
**CO**: Interface - 2x CanOpen CanBus  
**PF**: Interface - Profibus DP Master with NVRAM  
**LANX2**: Interface - 2x PoE LAN
- Secondary Storage** ..... None  
**CF32**: CFast 32GB  
**SHD**: HDD 500GB  
**HHD**: HDD 1TB  
**SSD8**: SSD 80GB  
**SSD16**: SSD 160GB  
**SSD24**: SSD 240GB
- Software** ..... None  
**WGP**: WinGP  
**HMIS**: Remote HMI Server  
**WGPHMIS**: WinGP + Remote HMI Server  
**OPN15**: BLUE Open Studio Runtime 1.5K tags  
**OPN40**: BLUE Open Studio Runtime 4K tags  
**OPN64**: BLUE Open Studio Runtime 64K tags
- Extended Warranty**..... None (2 year standard)  
One year extended  
Two year extended