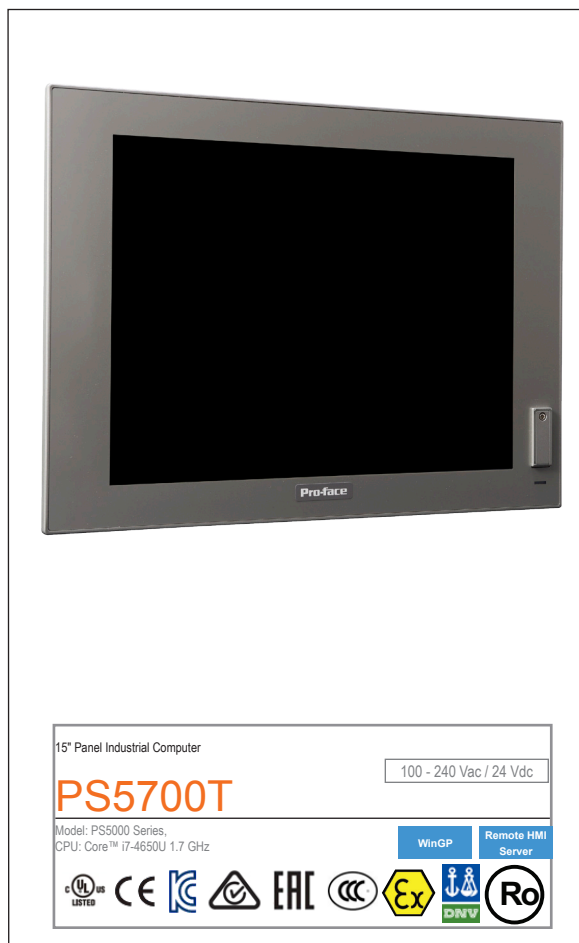


PS5700T Performance Modular Industrial PC



Features:

- Core™ i7-4650U 1.7 GHz
- Fan-less Design
- Extensive Connectivity
- Modular Flexible Design
- TFT Color LCD Display
- VESA Mounting Options

Performance Specifications

Models	PS5000 Series (Build to Order)	
Graphics Display Resolution	XGA TFT (1,024 x 768 pixels)	
Display Type & Size	TFT Color LCD (15-inch) (4:3)	
Display Colors	16.7 Million	
Touch Panel	Resistive single touch	
Panel Resolution	2048 x 2048	
Graphic Accelerator	Intel HD Graphics 5000	
Supported OS	Windows® 7 Ultimate 64 bit MUI / Windows® Embedded Standard 7 (WES7P) 64 bit MUI / Windows® Embedded 8.1 Industry 64 bit MUI	
CPU	Core™ i7-4650U 1.7 GHz	
Main Memory	8 GB / 16 GB, DDR3L 1600 MHz, SO-DIMM SDRAM 512 KB MRAM for the user	
Video Memory	Up to 1.7 GB, Shared system memory	
Interfaces	Serial ATA	HDD / SSD x 2 *1 CFast x 1 mSATA x 1
	Serial (COM1)	RS-232C / 422 / 485 (D-Sub 9-pin, plug)
	Ethernet (LAN1)	10/100/1000 Mbit/s (RJ-45 Modular jack)
	Ethernet (LAN2)	10/100/1000 Mbit/s (RJ-45 Modular jack)
	USB	USB 3.0 x 2, USB 2.0 x 2, USB 2.0 (front) (Type A)
	Video	DisplayPort (Type A) x 1
	Mini PCIe	x 2 (revision 1.2)
	Expansion Slot *2	PCIe (x4) x 2 / PCI x 2 / PCI x 1 + PCIe (x4) x 1

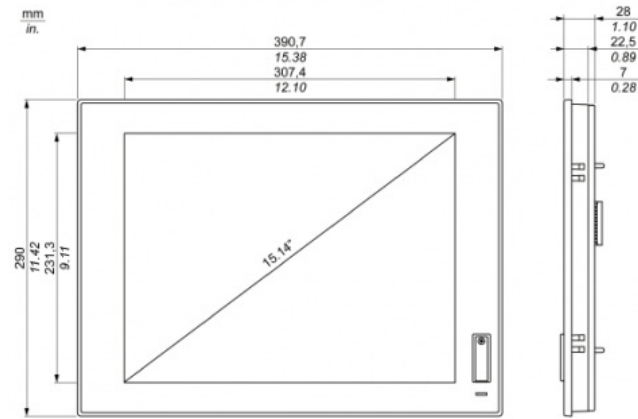
*1 When installed, an optional disk adapter unit (PFXPBADHDD2) that is separately sold is required. *2 2 slot model only.

General Specifications

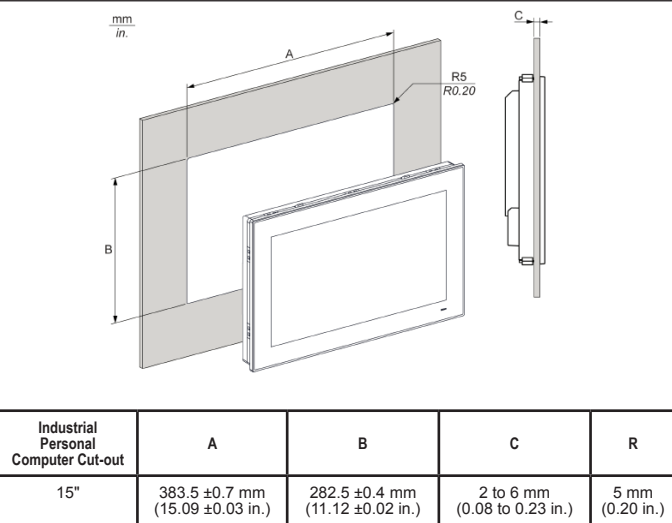
Models	PS5000 Series (Build to Order)
Input Voltage	DC Power Model: 24 Vdc ±20 % When using AC power supply unit: 100 to 240 Vac *3
Power Consumption	25.9 W (Max. 44.9 W)
In-Rush Current	8.9 A
Storage Temperature	-30 to 70° [-22 to 158°]
Concussion Resistance	IEC60068-2-27 Ea Test
Certifications	Class 1 Div 2, CE (EN61000-6-4, EN61000-6-2, EN61131-2), CSA/UL61010, ATEX, Marine (DNV), RCM (C-Tick), EAC (GOST-R), RoHS, REACH, CCC, KC, WEEE
Surrounding Air Temperature	When using SSD / CFast running: 0 to 55° [32 to 131°] When using HDD running: 0 to 45° [32 to 113°] When using mPCI x 2 + Display module : 0 to 45° [32 to 113°] When using PCI/PCIe : 0 to 45° [32 to 113°]
Ambient/Storage Humidity	10 to 95 % RH (Wet bulb temperature: 40 °C [104 °F] max. - no condensation)
Pollution Degree	For use in pollution degree 2 environment
Installation Configuration	Panel Mounting or VESA mounting with optional kit *4
Cooling method	Passive heat sink *5
Air Pressure (altitude range)	2,000 m (6,560 ft) max
Vibration Resistance	Operation for products with SSD or CF card storage device: 5 to 500 Hz: 2 Grms Operation for products with HDD storage device: 5 to 500 Hz: 1 Grms
Electromagnetic Compatibility	Immunity to High Frequency Interference. Electromagnetic Emissions Class A
Structure	IP66 (front side of display)
Weight	0 slot: 7.3 kg (16 lbs.) 2 slot: 8.1 kg (17.8 lbs.)
External Dimensions	0 slot: W390.7 x H290.0 x D93.2 mm [W15.38 x H11.42 x D3.67 in.] 2 slot: W390.7 x H290.0 x D131.2 mm [W15.38 x H11.42 x D5.16 in.]
Panel Cut-Out Dimensions	W383.5 x H282.5 mm [W15.09 x H11.12 in.]
Warranty	Two (2) years

*3 For use at 100 to 240 Vac, an optional AC power adapter (PFXPBPJAC2) that is separately sold is required. *4 VESA mounting kit sold separately is required, 0 slot: PFXPBADVS02, 2 slot: PFXPBADVS22 *5 The operating temperature is limited to 45 C and the cooling fan is required for PCI/PCIe cards installed on board with power consumption from 3W to 6W max. for two cards or 10W max for one card.

External Dimensions



Panel Cut Dimensions



In addition to the wide variety of standard interfaces, additional interface options allow for extensive connectivity and product expansion.



See profaceamerica.com for optional accessories.

Ordering Information

PS5700T-i7-***

- Panel PC and Modular Displays..... 700T: Modular Display 15"
- Box PC..... i7-8G: Box PC Core i7 8GB (1xDP, 2xEth., 1xCOM, 4xUSB, MRAM)
- i7-16G: Box PC Core i7 16GB (1xDP, 2xEth., 1xCOM, 4xUSB, MRAM)
- i7-8G-1P1E: Box PC Core i7 8GB 1 PCI + 1 PCIe (1xDP, 2xEth., 1xCOM, 4xUSB, MRAM)
- i7-8G-2P: Box PC Core i7 8GB 2 PCI (1xDP, 2xEth., 1xCOM, 4xUSB, MRAM)
- i7-8G-2E: Box PC Core i7 8GB 2 PCIe (1xDP, 2xEth., 1xCOM, 4xUSB, MRAM)
- i7-16G-1P1E: Box PC Core i7 16GB 1 PCI + 1 PCIe (1xDP, 2xEth., 1xCOM, 4xUSB, MRAM)
- i7-16G-2P: Box PC Core i7 16GB 2 PCI (1xDP, 2xEth., 1xCOM, 4xUSB, MRAM)
- i7-16G-2E: Box PC Core i7 16GB 2 PCIe (1xDP, 2xEth., 1xCOM, 4xUSB, MRAM)
- i7-16G-CC: Box PC Core i7 16GB Conformal Coating (1xDP, 2xEth., 1xCOM, 4xUSB, MRAM)
- i7-16G-1P1E-CC: Box PC Core i7 16GB 1 PCI + 1 PCIe Conformal Coating (1xDP, 2xEth., 1xCOM, 4xUSB, MRAM)
- CPU Fan Kit None
- F: CPU Fan Kit for expansion cards above 3W
- Power Supply..... D: 24 vDC
- A: 100 - 240 AC
- Operating System..... None
- WES7: Windows Embedded Standard 7 (WES7P) SP1 64 bits MUI
- W764: Win7 Ultimate FES SP1 64bit En MUI
- WE8 : Win8.1 Industry 64bit En MUI
- Main Storage Device None
- CF32: CFast 32GB
- SHD: HDD 500GB
- HHO: HDD 1TB
- SSD8: SSD 80GB
- SSD16: SSD 160GB
- SSD24: SSD 240GB
- Optional Interfaces None
- 485X2: Interface - RS485 x 2 Isolated
- 485X4: Interface - 4 x RS422/485
- USBX2: Interface - 2 x USB 3.0
- 232X2: Interface - 2 x RS232 Isolated
- 232X4: Interface - 4 x RS232
- IO: Interface - 16DI / 8DO
- AU: Interface - Audio
- CL: Interface - 1x GPRS/GSM
- ETH: Interface - Gigabit IEEE 1588 Lan
- CO: Interface - 2x CanOpen CanBus
- PF: Interface - Profibus DP Master with NVRAM
- LANX2: Interface - 2x PoE LAN
- Secondary Storage None
- CF32: CFast 32GB
- SHD: HDD 500GB
- HHO: HDD 1TB
- SSD8: SSD 80GB
- SSD16: SSD 160GB
- SSD24: SSD 240GB
- Software None
- WGP: WinGP
- HMIS: Remote HMI Server
- WGPHMIS: WinGP + Remote HMI Server
- OPN15: BLUE Open Studio Runtime 1.5K tags
- OPN40: BLUE Open Studio Runtime 4K tags
- OPN64: BLUE Open Studio Runtime 64K tags
- Extended Warranty..... None (2 year standard)
- One year extended
- Two year extended

Pro-face America

Phone: 734.477.0600

Fax: 734.864.7347

www.profaceamerica.com

Customer Service Hotline: 800.289.9266

For more information

ACCESS

www.profaceamerica.com