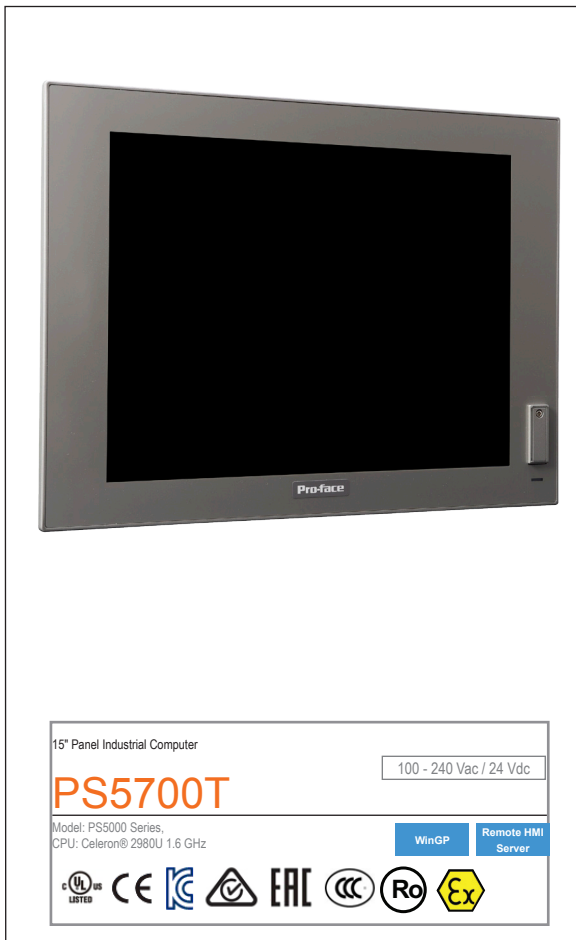


# PS5700T Universal Modular Industrial PC



**Features:**

- Celeron® 2980U 1.6 GHz
- Fan-less Design
- Extensive Connectivity
- Modular Flexible Design
- TFT Color LCD Display
- VESA Mounting Options

**Performance Specifications**

Model	PS5000 Series (Build to Order)	
Graphics Display Resolution	XGA TFT (1,024 x 768 pixels)	
Display Type & Size	TFT Color LCD (15-inch) (4:3)	
Display Colors	16.7 Million	
Touch Panel	Resistive single touch	
Graphic Accelerator	Intel HD Graphics	
Panel Resolution	2048 x 2048	
Supported OS	Windows® 7 Ultimate 64 bit MUI / Windows® Embedded Standard 7 (WES7P) 64 bit MUI / Windows® Embedded 8.1 Industry 64 bit MUI	
CPU	Celeron® 2980U 1.6 GHz	
Main Memory	4 GB / 8 GB, DDR3L 1600 MHz, SO-DIMM SDRAM 512 KB NVRAM for the user	
Video Memory	Up to 1.7 GB, Shared system memory	
Interfaces	Serial ATA	HDD / SSD x 2 *1 CFast x 1 mSATA x 1
	Serial (COM1)	RS-232C / 422 / 485 (D-Sub 9-pin, plug)
	Ethernet (LAN1)	10/100/1000 Mbit/s (RJ-45 Modular jack)
	Ethernet (LAN2)	10/100/1000 Mbit/s (RJ-45 Modular jack)
	USB	USB 3.0 x 2, USB 2.0 x 2, USB 2.0 x1 (front) (Type A)
	Video	DisplayPort (Type A) x 1
	Mini PCIe	x 2 (revision 1.2)
	Expansion Slot *2	PCIe (x4) x 2 / PCI x 2 / PCI x 1 + PCIe (x4) x 1

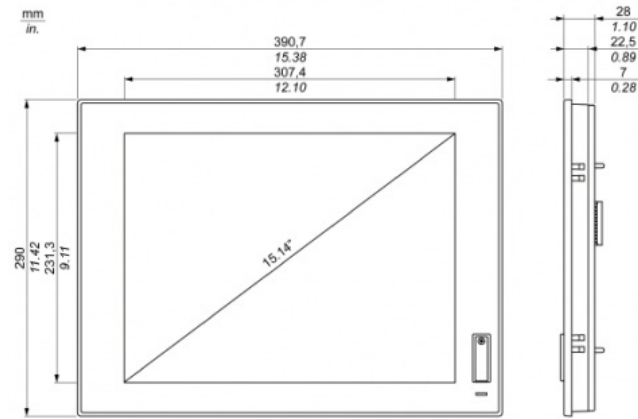
\*1 When installed, an optional disk adapter unit (PFXZPBADHDD2) that is separately sold is required. \*2 2 slot model only.

**General Specifications**

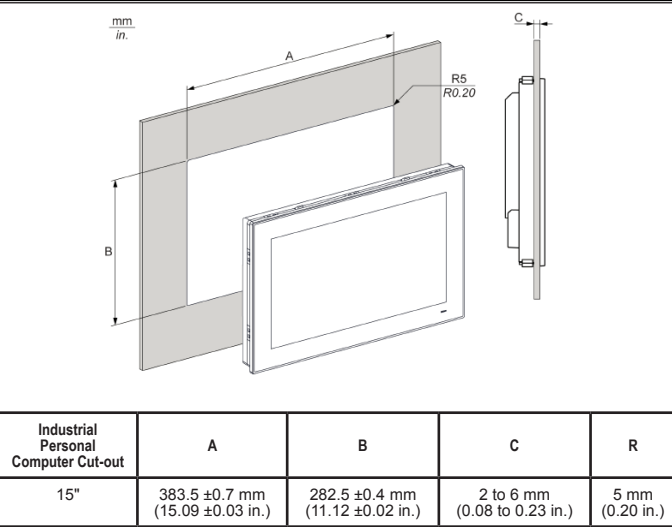
Model	PS5000 Series (Build to Order)
Input Voltage	DC Power Model: 24 Vdc ±20 % When using AC power supply unit: 100 to 240 Vac *3
Power Consumption	25.5 W (Max. 39.9 W)
In-Rush Current	8.9 A
Storage Temperature	-30 to 70° [-22 to 158°]
Certifications	Class 1 Div 2, CE (EN61000-6-4, EN61000-6-2, EN61131-2), CSA/UL61010, RCM (C-Tick), EAC (GOST-R), RoHS, REACH, CCC, KC, WEEE, ATEX
Concussion Resistance	IEC60068-2-27 Ea Test
Pollution Degree	For use in pollution degree 2 environment
Surrounding Air Temperature	When using SSD / CFast running: 0 to 55° [32 to 131°] When using HDD running: 0 to 45° [32 to 113°] When using mPCI x 2 + Display module : 0 to 45° [32 to 113°] When using PCI/PCIe : 0 to 45° [32 to 113°]
Ambient/Storage Humidity	10 to 95 % RH (Wet bulb temperature: 40 °C [104 °F] max. - no condensation)
Installation Configuration	Panel Mounting or VESA mounting with optional kit *4
Cooling Method	Passive heat sink *5
Air Pressure (altitude range)	2,000 m (6,560 ft) max
Vibration Resistance	Operation for products with SSD or CF card storage device: 5 to 500 Hz: 2 Grms Operation for products with HDD storage device: 5 to 500 Hz: 1 Grms
Electromagnetic Compatibility	Immunity to High Frequency Interference. Electromagnetic Emissions Class A
Structure	IP66 (front side of display)
Weight	0 slot: 7.3 kg (16 lbs.) 2 slot: 8.1 kg (17.8 lbs.)
External Dimensions	0 slot: W390.7 x H290.0 x D93.2 mm [W15.38 x H11.42 x D3.67 in.] 2 slot: W390.7 x H290.0 x D131.2 mm [W15.38 x H11.42 x D5.16 in.]
Panel Cut-Out Dimensions	W383.5 x H282.5 mm [W15.09 x H11.12 in.]
Warranty	Two (2) years

\*3 For use at 100 to 240 Vac, an optional AC power adapter (PFXZPBPUAC2) that is separately sold is required. \*4 VESA mounting kit sold separately is required. 0 slot: PFXZPBADVS02, 2 slot: PFXZPBADVS22 \*5 The operating temperature is limited to 45 C and the cooling fan is required for PCI/PCIe cards installed on board with power consumption from 3W to 6W max. for two cards or 10W max for one card.

**External Dimensions**



**Panel Cut Dimensions**



In addition to the wide variety of standard interfaces, additional interface options allow for extensive connectivity and product expansion.



See [profaceamerica.com](http://profaceamerica.com) for optional accessories.

**Ordering Information**

**PS5700T-CE-\*\*\***

Panel PC and Modular Displays .....	700T: Modular Display 15"
Box PC .....	<b>CE-8G:</b> Box PC Celeron 8GB (1xDP, 2xEth., 1xCOM, 4xUSB, MRAM) <b>CE-8G-1P1E-CC:</b> Box PC Celeron 8GB-RAM, 1 PCI+1 PCIe Conformal Coating (1xDP, 2xEth., 1xCOM, 4xUSB, MRAM) <b>CE-8G-2P:</b> Box PC Celeron 8GB-RAM, 2 PCI (1xDP, 2xEth., 1xCOM, 4xUSB, MRAM) <b>CE-8G-2E:</b> Box PC Celeron 8GB-RAM, 2 PCIe (1xDP, 2xEth., 1xCOM, 4xUSB, MRAM)
CPU Fan Kit .....	None F: CPU Fan Kit for expansion cards above 3W
Power Supply .....	D: 24 vDC A: 100 - 240 AC
Operating System .....	No Operating System <b>WEST:</b> Win Embedded Standard 7 (WESTP) SP1 64 bits MUI <b>W764:</b> Win7 Ultimate FES SP1 64bit En MUI <b>WE8:</b> Win8.1 Industry 64bit En MUI <b>WS732:</b> WES Win7 32bit En MUI <b>W1064C:</b> Windows 10 IoT Enterprise 64bit MUI (Celeron) <b>W1064I:</b> Windows 10 IoT Enterprise 64bit MUI (i7)
Main Storage Device .....	<b>SHD:</b> HDD 500GB <b>CF32:</b> 32GB CFast <b>HHD:</b> HDD 1TB <b>SSD8:</b> SSD 128GB <b>SSD16:</b> SSD 160GB <b>SSD24:</b> SSD 240GB
Optional Interfaces .....	No Optional Interface <b>485X2:</b> Interface - RS485 x 2 Isolated <b>485X4:</b> Interface - 4 x RS422/485 <b>USBX2:</b> Interface - 2 x USB 3.0 <b>232X2:</b> Interface - 2 x RS232 Isolated <b>232X4:</b> Interface - 4 x RS232 <b>IO:</b> Interface - 16DI / 8DO <b>AU:</b> Interface - Audio <b>CL:</b> Interface - 1x GPRS/GSM <b>ETH:</b> Interface - Gigabit IEEE 1588 Lan <b>CO:</b> Interface - 2x CanOpen CanBus <b>PF:</b> Interface - Profibus DP Master with NVRAM <b>LANX2:</b> Interface - 2x PoE LAN
Secondary Storage .....	No Secondary Storage <b>CF32:</b> CFast 32GB <b>SHD:</b> HDD 500GB <b>HHD:</b> HDD 1TB <b>SSD8:</b> SSD 128GB <b>SSD16:</b> SSD 160GB <b>SSD24:</b> SSD 240GB
Software .....	No Software <b>WGP:</b> WinGP <b>HMIS:</b> Remote HMI Server <b>WGPHMIS:</b> WinGP + Remote HMI Server <b>OPN15:</b> BLUE Open Studio Runtime 1.5K tags <b>OPN40:</b> BLUE Open Studio Runtime 4K tags <b>OPN64:</b> BLUE Open Studio Runtime 64K tags
Extended Warranty .....	None (Standard) One year extended Two year extended

**Pro-face America**

Phone: 734.477.0600

Fax: 734.864.7347

[www.profaceamerica.com](http://www.profaceamerica.com)

**Customer Service Hotline: 800.289.9266**

For more information

**ACCESS**

[www.profaceamerica.com](http://www.profaceamerica.com)