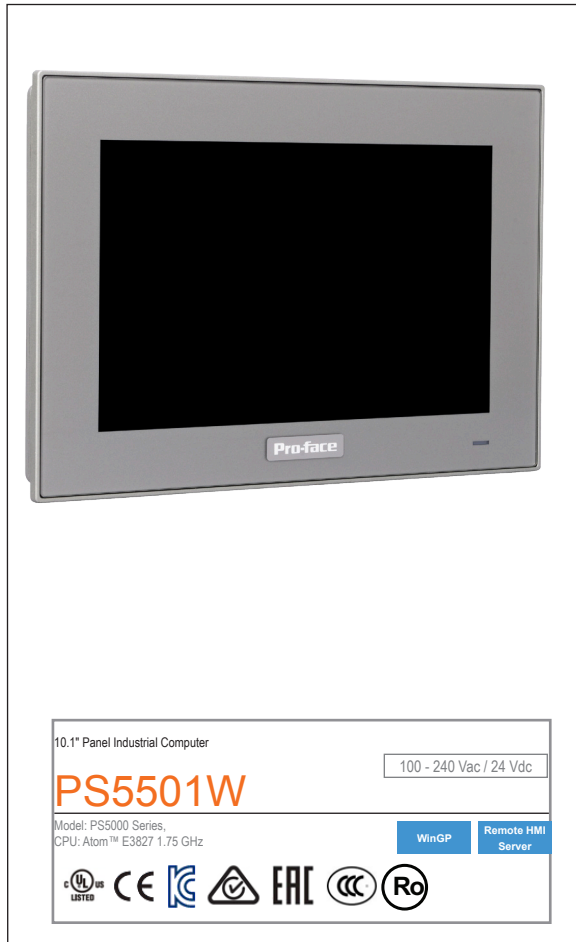


PS5501W Slim Industrial PC



Features:

- Atom™ E3827 1.75 GHz
- Fan-less Design
- IP66 Compliance
- Extensive Connectivity
- Multi-touch display
- Slim Versatile Design
- TFT Color LCD Display

Performance Specifications

Model	PS5000 Series Build to order (See reverse side for ordering information)	
Graphics Display Resolution	WSVGA TFT(1,280 x 800 Pixels)	
Display Type and Size	TFT Color LCD (10.1-inch) (Wide 16:9)	
Display Colors	267,000	
Touch Panel	Multi-touch (5 point simultaneous touch) projected capacitive	
Graphics Accelerator:	Intel (R) HD Graphics	
Panel Resolution	4096 x 4096	
Supported OS	Windows® 7 Ultimate 64 bit MUI / Windows® Embedded Standard 7 (Premium) 64 bit MUI / Windows® Embedded 8.1 Industry 64 bit MUI	
CPU	Atom™ E3827 1.75 GHz	
Main Memory	4 GB, DDR3L 1600 MHz, SO-DIMM SDRAM	
Video Memory	Up to 1.7 GB	
Interfaces	Serial ATA	CFAST: x 1/HDD / SSD x 1 *1
	Serial (COM1)	RS-232C (D-Sub 9-pin, plug)
	Serial (COM2)	RS-232C / 422 / 485 (D-Sub 9-pin, plug)
	Ethernet (LAN1)	10/100/1000 Mbit/s (RJ-45 Modular jack)
	Ethernet (LAN2)	10/100/1000 Mbit/s (RJ-45 Modular jack)
	USB (TYPE-A)	USB 3.0 x 1, USB 2.0 x 1 (Type A)
	Mini PCIe	x 1 (revision 1.2) *1

*1When installed, an optional unit (PFXZPSADSSD2) that is separately sold is required.

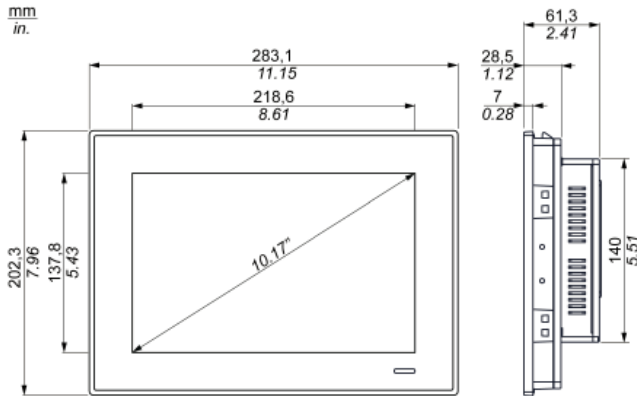
General Specifications

Model	PS5000 Series (Build to Order)
Input Voltage	DC Power Model: 24 Vdc ±20 % When using AC power supply unit: 100 to 240 Vac *2
Power Consumption	12 W (Max 24 W)
In-Rush Current	7.5 A
Storage Temperature	-20 to +60 °C (-4 to +140 °F)
Concussion Resistance	IEC60068-2-27 Ea Test
Certifications	CE (EN61000-6-4, EN61000-6-2, EN61131-2), CSA/UL60950, RCM (C-Tick), EAC (GOST-R), RoHS, REACH, CCC, BSMI, KC, WEEE
Surrounding Air Temperature	When using SSD / CFAST running: 0 to 55°C [32 to 131 °F] When using HDD running: 0 to 45 °C [32 to 113 °F]
Ambient/Storage Humidity	10 to 95 % RH (Wet bulb temperature: 40 °C [104 °F] max. - no condensation)
Corrosive Gas	Free of corrosive gases
Pollution Degree	For use in pollution degree 2 environment
Cooling method	Passive heat sink
Mounting	Panel Mounting or VESA mounting with optional kit *3
Air Pressure (altitude range)	2,000 m (6,560 ft) max
Vibration Resistance	Operation for products with SSD or CF card storage device: 5 to 500 Hz: 2 Grms Operation for products with HDD storage device: 5 to 500 Hz: 1 Grms
Electromagnetic Compatibility	Immunity to High Frequency Interference.Electromagnetic Emissions Class A
Structure	IP66 (front side of display)
Weight	2.5 kg [5.51 lb]
External Dimensions	W283.1 x H202.3 x D61.3mm [W 11.15 x H 7.96 x D 2.41 in]
Panel Cut-Out Dimensions	W274.6 x H193.8mm [W 10.81 x H 7.63 in]
Warranty	Two (2) years

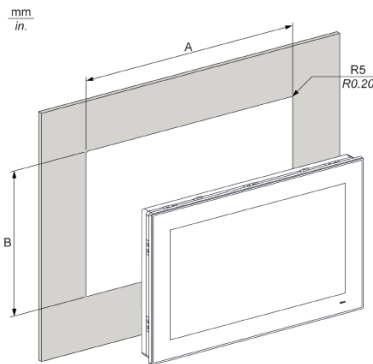
2 For use at 100 to 240 Vac, an optional AC power adapter (PFXZPSUAC2) that is separately sold is required

3 For VESA mounting, optional kit PFXZPSADVS102 (sold separately) is required..

External Dimensions



Panel Cut Dimensions



Industrial Personal Computer Cut-out	A	B	C	R
10" Wide	274.6 ±0.7 mm (10.81 ±0.03 in.)	193.8 ±0.4 mm (7.63 ±0.02 in.)	2 to 6 mm (0.08 to 0.23 in.)	5 mm (0.20 in.)

In addition to the wide variety of standard interfaces, additional interface options allow for extensive connectivity and product expansion.



Pro-face America

Phone: 734.477.0600

Fax: 734.864.7347

www.profaceamerica.com

Ordering Information

PS-5501W-A--****

Form Factor.....	Slim Type Panel PC Atom
Product Generation.....	Second Generation
Panel PC and Modular Displays.....	501W: Slim Type Panel PC 10" Widescreen
Box PC.....	None (S-Panel or Enclosed Panel)
CPU.....	A: ATOM-E3827 Fanless
Power Supply.....	D: 24 VDC
Memory.....	4G: 4GB
Operating System.....	None WES7: Win Embedded Standard 7 Premium SP1 64bit En MUI W764: Win7 Ultimate FES SP1 64bit En MUI WE8: Windows Embedded 8.1 Industry 64 bits MUI WS1064A: Windows 10 IoT Enterprise 64bit MUI
Main Storage Device.....	SHDE: HDD 500GB with expansion kit CF32: CFast 32GB CF32E: CFast 32GB with expansion kit HHDE: HDD 1TB with expansion kit SSD8E: SSD 128GB with expansion kit SSD16E: SSD 160GB (or larger) with expansion kit SSD24E: SSD 240GB with expansion kit EXA: Expansion kit only
Optional Interfaces.....	None NV: Interface - NVRAM 485X2: Interface - 2 x RS422/485 Isolated 485X4: Interface - 4 x RS422/485 232X2: Interface - 2 x RS232 Isolated 232X4: Interface - 4 x RS232 IO: Interface - 16DI / 8DO CO: Interface - 2x CanOpen CanBus PF: Interface - Profibus DP Master with NVRAM ETH: Interface - 1xEth. Gigabit IEEE1588 for IPC USBX2: Interface - 2 x USB 3.0 CL: Interface - Cellular 3G
Secondary Storage.....	None CF32: CFast 32GB SHD: HDD 500GB HHD: HDD 1TB SSD8: SSD 128GB SSD16: SSD 160GB SSD24: SSD 240GB
Software.....	None WGP: WinGP HMIS: Remote HMI Server WGPHMIS: WinGP + Remote HMI Server OPN15: BLUE Open Studio Runtime 1.5K tags OPN40: BLUE Open Studio Runtime 4K tags OPN64: BLUE Open Studio Runtime 64K tags
Extended Warranty.....	None (Standard) One year extended Two year extended

Optional Items

Part Number	Description
PFXZPPDSP102	Screen Protection Sheet for 10" Wide (5pcs)
PFXZPPWG102	Gasket for W10.1" (1 pcs)
PFXAPPAF12P2	Installation fastener for PS5000
PFXZPSADVS102	VESA mounting kit

Customer Service Hotline: 800.289.9266

For more information

ACCESS

www.profaceamerica.com



California Proposition 65 Warning—Lead and Lead Compounds

Advertencia de la Proposición 65 de California—Plomo y compuestos de plomo

Avertissement concernant la Proposition 65 de Californie—Plomb et composés de plomb

⚠ WARNING: This product can expose you to chemicals including lead and lead compounds, which are known to the State of California to cause cancer and birth defects or other reproductive harm. For more information go to: www.P65Warnings.ca.gov.

⚠ ADVERTENCIA: Este producto puede exponerle a químicos incluyendo plomo y compuestos de plomo, que es (son) conocido(s) por el Estado de California como causante(s) de cáncer y defectos de nacimiento u otros daños reproductivos. Para mayor información, visite : www.P65Warnings.ca.gov.

⚠ AVERTISSEMENT: Ce produit peut vous exposer à des agents chimiques, y compris plomb et composés de plomb, identifiés par l'État de Californie comme pouvant causer le cancer et des malformations congénitales ou autres troubles de l'appareil reproducteur. Pour de plus amples informations, prière de consulter: www.P65Warnings.ca.gov.

All trademarks are the property of Schneider Electric SE, its subsidiaries, and affiliated companies.

Schneider Electric USA, Inc.
800 Federal Street
Andover, MA 01810 USA
888-778-2733
www.schneider-electric.us

Todas las marcas comerciales son propiedad de Schneider Electric SE, sus filiales y compañías afiliadas.

Importado en México por:
Schneider Electric México, S.A. de C.V.
Av. Ejercito Nacional No. 904
Col. Palmas, Polanco 11560 México, D.F.
55-5804-5000
www.schneider-electric.com.mx

Toutes les marques commerciales sont la propriété de Schneider Electric SE, ses filiales et compagnies affiliées.

Schneider Electric Canada, Inc.
5985 McLaughlin Road
Mississauga, ON L5R 1B8 Canada
800-565-6699
www.schneider-electric.ca