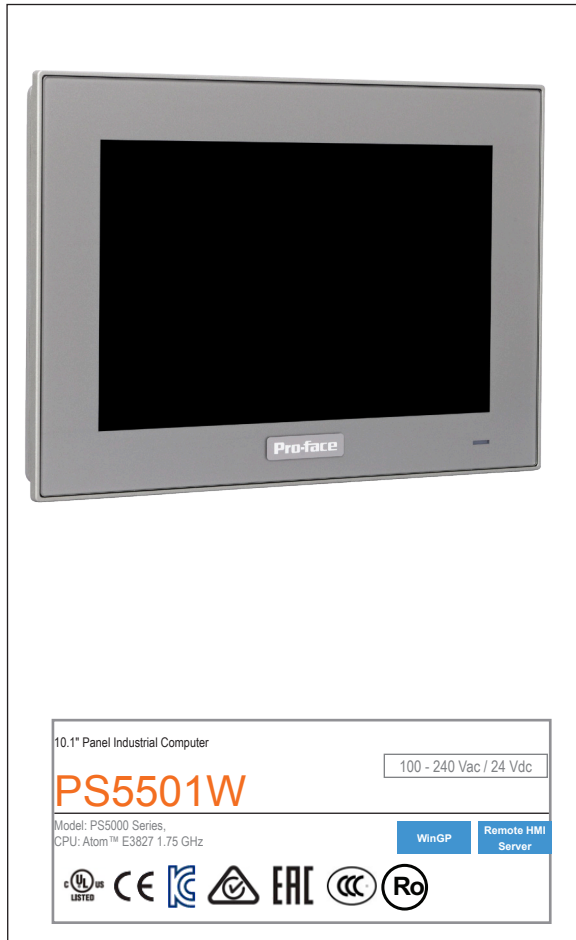


PS5501W Slim Industrial PC



Features:

- Atom™ E3827 1.75 GHz
- Fan-less Design
- IP66 Compliance
- Extensive Connectivity
- Multi-touch display
- Slim Versatile Design
- TFT Color LCD Display

Performance Specifications

Model	PS5000 Series Build to order (See reverse side for ordering information)	
Graphics Display Resolution	WSVGA TFT(1,280 x 800 Pixels)	
Display Type and Size	TFT Color LCD (10.1-inch) (Wide 16:9)	
Display Colors	267,000	
Touch Panel	Multi-touch (5 point simultaneous touch) projected capacitive	
Graphics Accelerator:	Intel (R) HD Graphics	
Panel Resolution	4096 x 4096	
Supported OS	Windows® 7 Ultimate 64 bit MUI / Windows® Embedded Standard 7 (Premium) 64 bit MUI / Windows® Embedded 8.1 Industry 64 bit MUI	
CPU	Atom™ E3827 1.75 GHz	
Main Memory	4 GB, DDR3L 1600 MHz, SO-DIMM SDRAM	
Video Memory	Up to 1.7 GB	
Interfaces	Serial ATA	CFAST: x 1/HDD / SSD x 1 *1
	Serial (COM1)	RS-232C (D-Sub 9-pin, plug)
	Serial (COM2)	RS-232C / 422 / 485 (D-Sub 9-pin, plug)
	Ethernet (LAN1)	10/100/1000 Mbit/s (RJ-45 Modular jack)
	Ethernet (LAN2)	10/100/1000 Mbit/s (RJ-45 Modular jack)
	USB (TYPE-A)	USB 3.0 x 1, USB 2.0 x 1 (Type A)
	Mini PCIe	x 1 (revision 1.2) *1

*1When installed, an optional unit (PFXZPSADSSD2) that is separately sold is required.

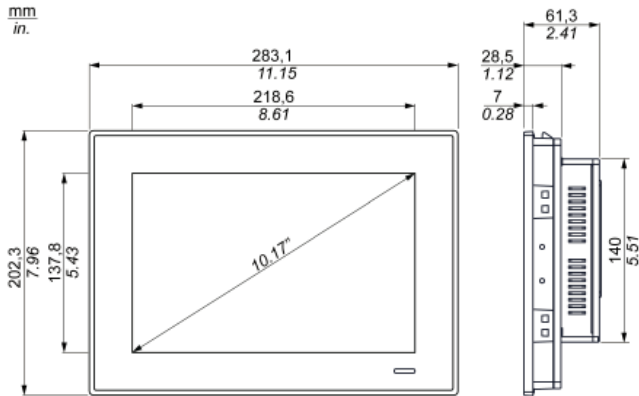
General Specifications

Model	PS5000 Series (Build to Order)
Input Voltage	DC Power Model: 24 Vdc ±20 % When using AC power supply unit: 100 to 240 Vac *2
Power Consumption	12 W (Max 24 W)
In-Rush Current	7.5 A
Storage Temperature	-20 to +60 °C (-4 to +140 °F)
Concussion Resistance	IEC60068-2-27 Ea Test
Certifications	CE (EN61000-6-4, EN61000-6-2, EN61131-2), CSA/UL60950, RCM (C-Tick), EAC (GOST-R), RoHS, REACH, CCC, BSMI, KC, WEEE
Surrounding Air Temperature	When using SSD / CFAST running: 0 to 55°C [32 to 131 °F] When using HDD running: 0 to 45 °C [32 to 113 °F]
Ambient/Storage Humidity	10 to 95 % RH (Wet bulb temperature: 40 °C [104 °F] max. - no condensation)
Corrosive Gas	Free of corrosive gases
Pollution Degree	For use in pollution degree 2 environment
Cooling method	Passive heat sink
Mounting	Panel Mounting or VESA mounting with optional kit *3
Air Pressure (altitude range)	2,000 m (6,560 ft) max
Vibration Resistance	Operation for products with SSD or CF card storage device: 5 to 500 Hz: 2 Grms Operation for products with HDD storage device: 5 to 500 Hz: 1 Grms
Electromagnetic Compatibility	Immunity to High Frequency Interference.Electromagnetic Emissions Class A
Structure	IP66 (front side of display)
Weight	2.5 kg [5.51 lb]
External Dimensions	W283.1 x H202.3 x D61.3mm [W 11.15 x H 7.96 x D 2.41 in]
Panel Cut-Out Dimensions	W274.6 x H193.8mm [W 10.81 x H 7.63 in]
Warranty	Two (2) years

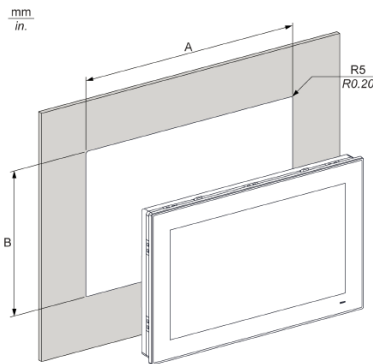
2 For use at 100 to 240 Vac, an optional AC power adapter (PFXZPSUAC2) that is separately sold is required

3 For VESA mounting, optional kit PFXZPSADVS102 (sold separately) is required..

External Dimensions



Panel Cut Dimensions



Industrial Personal Computer Cut-out	A	B	C	R
10" Wide	274.6 ±0.7 mm (10.81 ±0.03 in.)	193.8 ±0.4 mm (7.63 ±0.02 in.)	2 to 6 mm (0.08 to 0.23 in.)	5 mm (0.20 in.)

In addition to the wide variety of standard interfaces, additional interface options allow for extensive connectivity and product expansion.



Ordering Information

PS - 5501W - A - * - * *

- Form Factor** Slim Type Panel PC Atom
- Product Generation** Second Generation
- Panel PC and Modular Displays**.... **501W**: Slim Type Panel PC 10" Widescreen
- Box PC** **N**: None (S-Panel)
- CPU** **A**: Atom™ E3827 1.75 GHz
- Power Supply** **D**: DC
- Memory** **4G**: 4 GB
- Operating System** None
- **WES7**: WES7 Premium SP1 64bit En MUI
- **W764**: Win7 Ultimate FES SP1 64bit En MUI
- **WE8**: Win8.1 Industry 64bit En MUI
- Main Storage Device** None
- **CF32**: CFast 32GB
- **CF16E**: CFast 16GB with expansion kit
- **SHDE**: HDD 500GB with expansion kit
- **HHDE**: HDD 1TB with expansion kit
- **SSD8E**: SSD 80GB with expansion kit
- **SSD16E**: SSD 160GB with expansion kit
- **SSD24E**: SSD 240GB with expansion kit
- **EXA**: Expansion kit only
- Optional Interfaces** None
- **NV**: Interface - NVRAM
- **485X2**: Interface - 2 x RS422/485 Isolated
- **485X4**: Interface - 4 x RS422/485
- **232X2**: Interface - 2 x RS232 Isolated
- **232X4**: Interface - 4 x RS232
- **IO**: Interface - 16DI / 8DO
- **CO**: Interface - 2x CanOpen CanBus
- **PF**: Interface - Profibus DP Master with NVRAM
- **ETH**: Interface - 1xEth. Gigabit IEEE1588 for IPC
- **USBX2**: Interface - 2 x USB 3.0
- **CL**: Interface - 1x GPRS/GSM
- Secondary Storage** **N**: None
- **CF32**: CFast 32GB
- **SHD**: HDD 500GB
- **HHD**: HDD 1TB
- **SSD8**: SSD 80GB
- **SSD16**: SSD 160GB
- **SSD24**: SSD 240GB
- Software** None
- **WGP**: WinGP
- **HMIS** Remote HMI Server
- **WGP/HMIS**: WinGP + Remote HMI Server
- **OPN15**: BLUE Open Studio Runtime 1.5K tags
- **OPN40**: BLUE Open Studio Runtime 4K tags
- **OPN64**: BLUE Open Studio Runtime 64K tags
- Extended Warranty** None (2 year standard)
- One year extended
- Two year extended

Optional Items

Part Number	Description
PFXZPPDSP102	Screen Protection Sheet for 10" Wide (5pcs)
PFXZPPWG102	Gasket for W10.1" (1 pcs)
PFXAPPAF12P2	Installation fastener for PS5000
PFXZPSADVS102	VESA mounting kit

Pro-face America
 Phone: 734.477.0600
 Fax: 734.864.7347
 www.profaceamerica.com

Customer Service Hotline: 800.289.9266

