

# 12.1" Touch Screen Operator Interface with Rear Mounting Options



**TouchPanel  
Operation**



12.1-inch TFT Color Rear Mount Touch Screen Operator Interface

	24Vdc	12.1-inch
	SVGA	

Model: PFXGP4601TADR, PFXGP4601TADRFOC

SD Card
Ethernet

Powered by







**Features:**

- Lack of front bezel allows for multiple Rear Mounting Options
- 65,536 Colors, Clear, Bright, High-Resolution TFT Display
- Energy Efficient LED Display
- Choice of Matrix Touch Panel or No Grid Analog for Improved Visibility and Precise Part Placement
- Supports Up to Four Protocol Drivers Simultaneously
- High Speed Application Transfer, 10 Times Faster than Conventional Operator Interfaces
- 10/100 Base-T Ethernet, USB, Serial Communication and SD Card Interfaces
- High-Definition Part Images and Multi-Language Support

**Specifications**

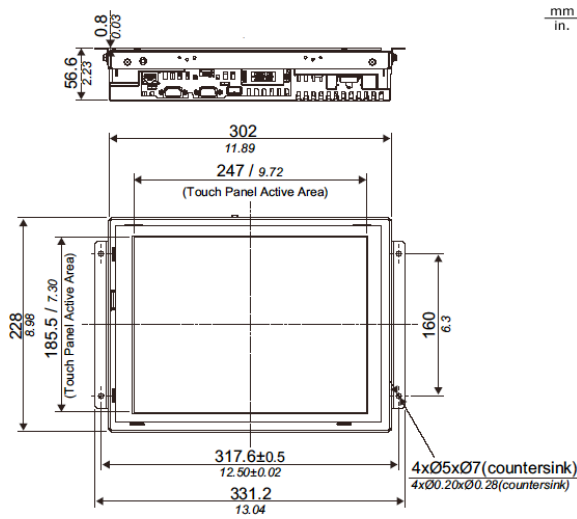
Model	PFXGP4601TADR, PFXGP4601TADRFOC
Graphics Display Resolution	800 x 600 pixels (SVGA)
Display Type and Size	TFT Color LCD (12.1 inch)
Display Colors	65,536 Colors (no blink), 16,384 (blink)
Display Area	W246.0 x H184.5 mm [W9.69 x H7.26 in.]
Touch Screen	Resistive film analog 1024 x 1024 resolution
USB	USB Type-A (2.0) x 1, USB mini-B (2.0) x1
SD Card	SD Card slot x 1 (maximum 32 GB SD/SDHC Card)
Serial	<p>COM1: RS-232C Asynchronous Transmission Data Length: 7 or 8 bit, Parity: none, odd or even, Stop Bit: 1 or 2 bit, Data Transmission Speed: 2,400 bps to 115.2 kbps, Connector: D-Sub9 (plug)</p> <p>GP-4601 COM 2: RS-422/485 Asynchronous Transmission Data Length: 7 or 8 bit Parity: None, Odd or Even Stop Bit: 1 or 2 bit Data Transmission Speed: 2,400 bps to 115.2 kbps, 187.5kbps (MPI) Connector: D-Sub9 (plug)</p> <p>*GP-4603 COM 2: RS-485 (isolation) Asynchronous Transmission Data Length: 7 or 8 bit Parity: None, Odd or Even Stop Bit: 1 or 2 bit Data Transmission Speed: 2,400 bps to 115.2 kbps, 187.5 kbps (MPI) Connector: D-Sub9 (socket)</p>
Ethernet	Ethernet IEEE802.3/IEEE802.3u, 10BASE-T/100BASE-TX
Backlight	White LED (User nonreplaceable parts. When replacement is required, contact your local distributor.
Brightness and Contrast Controls	16 levels of adjustment available via touch panel or the software
Programming Memory	32MB FEPRAM (GP-Pro EX V3.0 or later)
Backup Memory	512kb SRAM with battery backup

**General Specifications**

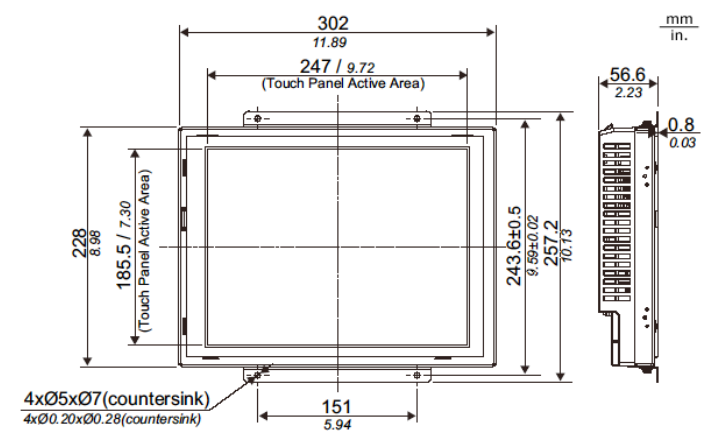
Model	PFXGP4601TADR	PFXGP4601TADRFOC
Conformal Coating	No	Yes
Input Voltage	Rated 24Vdc (Limits DC19.2 to 28.8V)	
Power Consumption	17 W or less	
Ambient Operating Temp.	0°C (32°F) to 55°C (131°F)	
Storage Temperature	-20 to 60 °C [-4 to 140 °F]	
Altitude Endurance	800hPa to 1114hPa (2000 meters or lower)	
Certifications	CE, UL Listed Cl 1 Div 2 (Cl 1 Div 2 is only available on Rev. B units), RoHS, ABS (American Bureau of Shipping), DNV (Norway – Marine)	CE, UL Listed Cl 1 Div 2 (Cl 1 Div 2 is only available on Rev. C units/Rev. B units for PFXGP-4601TAD), RoHS, ABS (American Bureau of Shipping), DNV (Norway – Marine)
Humidity - Ambient/Storage	10 to 90 % RH (Wet bulb temperature: 39 °C [102.2 °F] or less - no condensation.) / 10 to 90 % RH (Wet bulb temperature: 39 °C [102.2 °F] or less - no condensation.)	
Noise Immunity	Noise Voltage: 1,500 Vp-p, Pulse Duration: 1 μs, Rise Time: 1 ns (via noise simulator)	Noise Voltage: 1,000 Vp-p, Pulse Duration: 1 μs, Rise Time: 1 ns (via noise simulator)
Cooling Method	Natural air circulation	
Electrostatic Discharge Immunity	Contact Discharge Method: 6 kV (IEC/EN61000-4-2 Level 3)	
Vibration Resistance	IEC/EN61131-2 compliant, 5 to 9 Hz Single amplitude 3.5 mm [0.14 in.], 9 to 150 Hz Fixed acceleration: 9.8 m/s², X, Y, Z directions for 10 cycles (approx. 100 min)	
Shock during operation	IEC/EN 61131-2 compliant 147 m/s2, X, Y, Z directions for 3 times	
Rating	Equivalent to IP65f, Nema #250 Type 4x/13 (Equivalent to NEMA 12 with the addition of "Oil or Spraying and Splashing")	
Weight	2.5 kg [5.5 lb] or less (display unit only)	
External Dimensions	W315 x H241 x D56 mm [W12.4 x H9.49 x D2.2 in.]	
Warranty	Two-year standard (maximum 4 years)	

**GP-4601TADR - Panel Type Standard Mount Dimensions\***

Installation with fasteners attached to the top and bottom surfaces of the GP unit



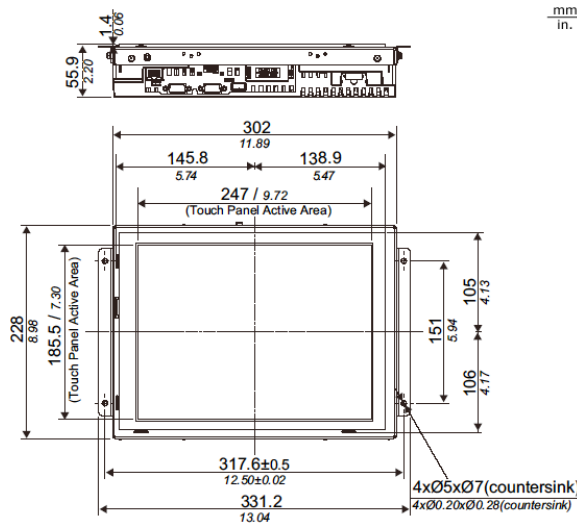
Installation with fasteners attached to the sides of the GP unit



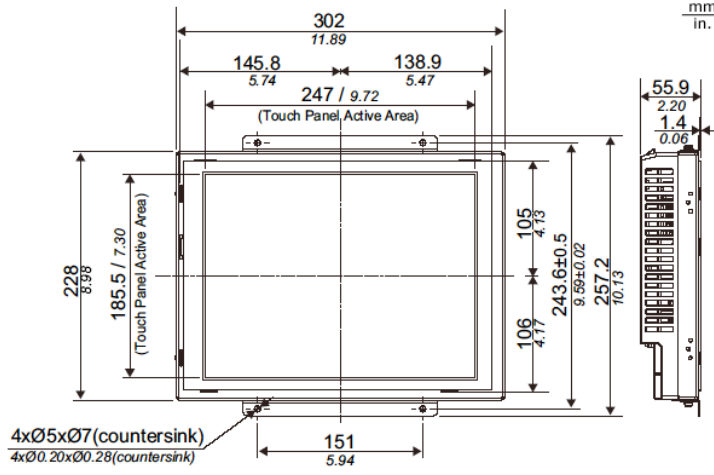
\*Additional mounting options available on [profaceamerica.com](http://profaceamerica.com)

**GP-4601TADR - Panel Type Flat Mount Dimensions\***

Installation with fasteners attached to the top and bottom surfaces of the GP unit



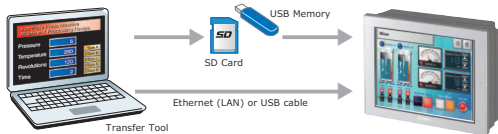
Installation with fasteners attached to the sides of the GP unit



\*Additional mounting options available on [profaceamerica.com](http://profaceamerica.com)

**Easily Transfer Data**

Screen data can be updated by using the data transfer tool, even without a software license.



The data transfer tool can be downloaded for free from the Web <http://www.profaceamerica.com>

**Ordering Information**

Part Number	Description
PFXGP4601TADR	<b>GP-4601TR:</b> 12.1" TFT Color Touchscreen (Analog), SVGA, 2x Serial, Ethernet, 2x USB, SD, 100-240VAC, UL/CE, Rear mounting options
PFXGP4601TADRFOC	<b>GP-4601TRC:</b> 12.1" TFT Color Touchscreen (Analog), SVGA, 2x Serial, Ethernet, 2x USB, SD, 100-240VAC, UL/CE, Rear mounting options, conformal coating
PFXZGPAFRL1	12.1-inch & 10.4-inch Rear mount Installation Fastener*1, GP4000 Rear Mount model Installation Gasket (1 piece)
PFXZGPF SR12W1	12.1-inch Overlay*2,3, Overlay(Front Sheet) for Flat mount of GP4000 Rear Mount model (Color: White, 1 piece)

\*1 These options can not be used with the standard GP4000 products. \*2 These overlays can only be used with the flat mounted GP4000R Series products. When standard mounting is used, no overlay can be used. Overlays - The standard GP4000 series Screen Protection Sheet (PFXZCBDS\*\*\*) can be applied on top of the Overlay. \*3 If you would like to request customization about overlay, such as other size or different colors or customer /company logo stickers, please contact Customer Care.

**Pro-face America**  
 Phone: 734.477.0600  
 Fax: 734.864.7347  
[www.profaceamerica.com](http://www.profaceamerica.com)

**Customer Service Hotline: 800.289.9266**

For more information

**ACCESS** [www.profaceamerica.com](http://www.profaceamerica.com)

