

5017T Flat Panel Industrial Touch Monitor

17-inch TFT SXGA LCD

DS-300003(F)



FEATURES

- 2 year warranty on all 5000 Series monitors
- State-of-the-art TFT SXGA color LCD and converter card supporting resolutions up to 1280 x 1024 @ 75Hz, 16 million colors
- Sophisticated scaling engines produce excellent full screen images in all common VESA modes automatically
- Analog resistive touch screen and driver software with choice of RS-232 or USB interface (RS-232 standard)
- Analog Video (VGA) and Digital Video (DVI)
- Shallow mounting depth - only 2.9 inches deep
- Provision for 100mm VESA mounting arm on back of monitor
- Provision for mounting 1300-CLIENT or 1546 Node PC on back of monitor
- Simple installation using mounting clips - no studs
- 24V DC input power option
- Up to 50' cables (VGA & Serial touchscreen only)
 - DVI Cables limited to 10' (3m) maximum
 - USB Touchscreen Cables limited to 16' (5m) maximum
- NEMA 4/4X/12 front panel
- Front panel controls
- Optional stainless steel bezel
- UL listed for hazardous locations: Class I, Division 2, Groups A, B, C, D; Class II, Division 2, Groups F and G; Temp. Code T6

Pro-face/Xycom's new 5017T (17") is the latest addition to the high performance, yet cost-effective, 5000 Series of industrial flat panel monitors. With its two-year warranty and state-of-the-art electronics, the 5017T delivers superb display quality up to 1280 x 1024 (SXGA) resolution with a color depth of 16 million colors and analog resistive touch screen with serial or USB interfaces. The latest generation scaling capability assures high quality, full size images for all standard VESA modes up to SXGA - 75Hz. Options include 24V DC input power and stainless steel front bezels. The 5017T is certified for NEMA 4/4X/12 environments and meets UL hazardous location, Class I & II, Div 2 requirements.

Superb Display Quality

The 5017T (17") delivers superb display quality up to 1280 x 1024 (SXGA) resolution with a color depth of 16 million colors and touchscreen with either RS-232 or USB interface. Options include 24V DC input power and stainless steel bezel.

Convert Your 5017 to a Computer Workstation

The 5017 is designed to allow a Xycom 1300-Client or 1546 Node

PC to be mounted on the rear of the monitor. Just bolt the node to the back of the monitor, attach the cables, and your 5017 becomes a computer workstation.

Fits Your Needs

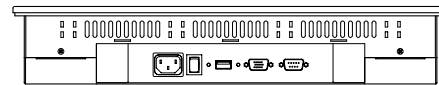
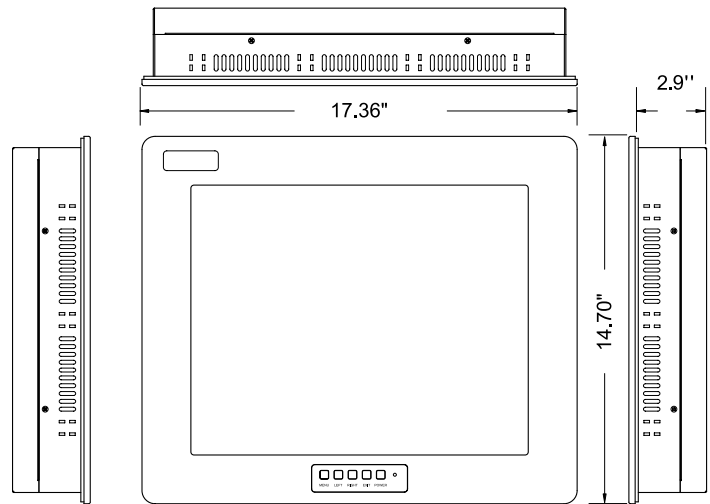
Other features include hazardous location - UL Class I & II, Division 2 compliance, 100mm VESA arm mount provision and front panel controls for convenient set up and adjustment. Special mounting clips make installation quick and simple.

The 5017T offers VGA video input and Digital Video Input (DVI). All units are shipped with 10-foot VGA and serial cables (DVI cable must be ordered separately). A field-wireable input power receptacle is provided for connection to AC power

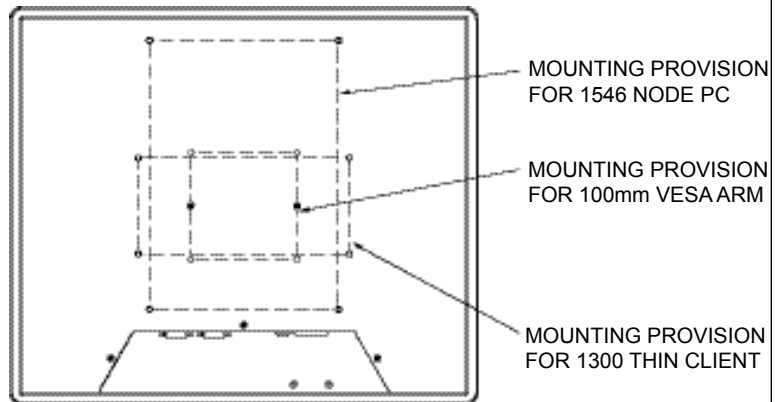
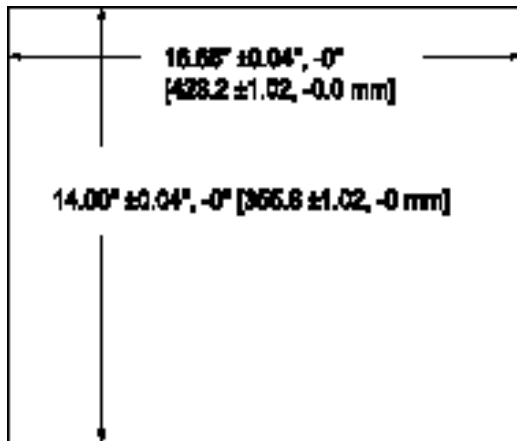
Model	5017T
Display Size (Active Area H x W)	13.30" (337.92 mm) x 10.64" (270.34 mm)
Resolution (1 pixel = R+G+B dots)	SXGA: 1280 x 1024
Display Colors	16 million
Brightness	250 Nit Typical
Contrast Ratio	400:1 Typical
Horizontal Viewing Angle	140° Typical
Vertical Viewing Angle	140° Typical
Backlight Life	50,000 Hours



Model	5017T
Width	17.36" (440.9 mm)
Height	14.70" (373.4 mm)
Mounting Depth	2.9" (73.66 mm)
Weight	18 lbs (8.2 kg)



5017T Cutout



All dimensions are in inches (mm).

Environmental

	Operating	Nonoperating
Thermal	0°C to 50°C	-20°C to 60°C
Humidity	20% to 80% RH, noncondensing	20% to 80% RH, noncondensing
Shock	15g peak acceleration, 11 msec duration	30g peak acceleration, 11 msec duration
Vibration 5-2000 Hz	0.006" peak to peak displacement 1.0g maximum acceleration	0.015" peak to peak displacement 2.5g maximum acceleration
Altitude	Sea level to 10,000 ft.	Sea level to 40,000 ft.

Electrical

Model	5017T
AC power	100 - 240V AC, 1A, 50/60 Hz, 49 W nominal*
DC Power	18V DC - 30V DC @ 2.3 A maximum, 44 W nominal*, inrush current = 22 A max @ 24 V DC

* Nominal Power is measured for a base configuration only. Any additional expansion and/or devices will increase the input power required.

Front Panel

- NEMA 4/4X/12 and IP65

Regulatory Compliance

- EN 55022: Class A
- EN 61000-6-2
- IEC 60950-1
- EN 61000-3-2, Class A
- EN 61000-3-3

- 47 CFR, Part 15, Class A

Safety Agency Approvals:

- UL 508
- UL 1604 ^a



FCC

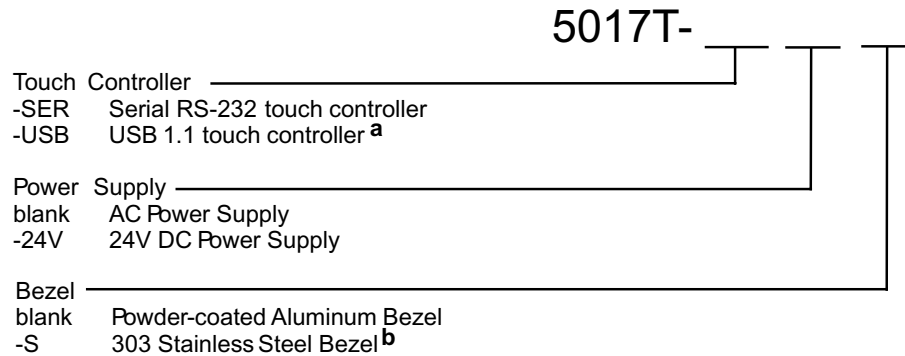
^a Class I Division 2, Groups A, B, C, D; Class II, Division 2, Groups F and G; Temp. Code: T6

Warning: To maintain a safe condition, do not use the USB port when the unit is operating in the presence of a hazardous environment.

To create an order number, follow the conventions defined by the example order numbers and product configurations.

Example Order Number

5017T-SER 17-inch NEMA 4/4X/12 SXGA (1280 x 1024), 16-million color Class I & II, Div 2, color panel mount monitor with analog resistive touch screen and AC power input. Includes 10' VGA cable (Part #3000-CBL-10V), wireable AC input power receptacle, mounting hardware and documentation.



^a USB driver support for Windows 98, 2000, and XP only.

^b Screen adjustment buttons will be mounted on rear with Stainless Steel Bezel option.

Touchscreen Cables (ordered separately)

3000-CBL-03V	3' (1 m) coaxial VGA cable; connects monitor to standard VGA card
3000-CBL-10V	10' (3 m) coaxial VGA cable; connects monitor to standard VGA card
3000-CBL-25V	25' (7.5 m) coaxial VGA cable; connects monitor to standard VGA card
3000-CBL-50V	50' (15 m) coaxial VGA cable; connects monitor to standard VGA card
CBL-SER03MF	3' (1 m) serial communication cable, male to female
CBL-SER10MF	10' (3 m) serial communication cable, male to female
CBL-SER25MF	25' (7.5 m) serial communication cable, male to female
CBL-SER50MF	50' (15 m) serial communication cable, male to female
CBL-USB-03AB	3' (1 m) USB cable, type A to B
CBL-USB-10AB	10' (3 m) USB cable, type A to B
CBL-USB-16AB	16' (5 m) USB cable, type A to B

Pro-face America

Phone: 734-429-4971

Fax: 734-429-1010

<http://www.profaceamerica.com>

Customer Support Hotline: 734.944.0482



Pro-face

© 2007 Pro-face America. Specifications may change without notice.

Xycom is a trademark of Xycom Automation, LLC. Other brand or product names are the property of their respective owners.