

5012KPM(T) and 5015KPM(T)

Flat Panel Industrial Touch Monitors

DS-300004(D)



12 and 15-inch Color LCD Touch Monitor

AC100/240V DC28/30V

5012KPM(T) SVGA

5015KPM(T) XGA

12-inch 15-inch

Pro-face
XYCOM

cUL US CE

FEATURES

- 2-year warranty
- Bright 12" or 15" state-of-the-art Thin Film Transistor (TFT) LCD
- Integrated customizable membrane keyboard
- Integrated Interlink Versapoint pointing device
- Optional analog resistive touch screen
- Powder-coated cast aluminum NEMA 4/4X/12 front bezel
- Front panel brightness adjustments
- Front panel connections for PS/2 keyboard and mouse, and one USB device
- Optional 24VDC input power
- Shallow mounting depth
- 5012KPM(T) is 19" EIA rack-mountable and 9403 cutout compatible
- 5015KPM(T) is 19" EIA rack-mountable and 3015KPM(T) cutout compatible
- UL 508 listed and CE certified
- Approved for Hazardous Locations: Class I, Division 2, Groups A, B, C, D; Class II, Division 2, Groups F and G; Temp. Code T4A

The new 5012KPM(T) and 5015KPM(T) are the latest additions to Pro-face/Xycom's ever expanding line of Industrial LCD Flat Panel Monitors. Equipped with full alphanumeric membrane keyboards, Interlink Versapoint pointing devices, and optional analog resistive touch screens, these monitors offer the ultimate in flexibility for human interface to a PC. Users may connect a PS/2 keyboard and mouse, and one USB device to sealed front panel connectors. High performance 12" (5012KPM(T)) and 15" (5015KPM(T)) LCD's deliver superb display quality. Like all Pro-face/Xycom 5000 Series monitors, the 5012KPM(T) and 5015KPM(T) are UL508 listed, CE compliant and UL approved for use in Class I & II, Division 2 Hazardous Locations. Whether you choose a Pro-face/Xycom industrial node computer or a "white box" PC for your next control application, no other Industrial Monitors offer more features than the new Pro-face/Xycom 5012KPM(T) and 5015KPM(T) monitors.

Customizable Membrane Keypad

Both the 5012KPM(T) and 5015KPM(T) are equipped with sealed tactile 74-position membrane keypads that provide full alphanumeric and function key operator input. 40 of the keys are special function keys that are relegendable. (There are replaceable slide-in insert strips that allow customers to customize the key legends.) With the included programming utility, keyboard scan codes can be modified and strings of

keystrokes can be programmed into selected keys, providing the ultimate in input flexibility.

High Performance Displays

State-of-the-art Thin Film Transistor (TFT) LCD's are used in the new 5012KPM(T) and 5015KPM(T) monitors. The 5012KPM(T) utilizes a 12" SVGA (800 x 600) LCD, while the 5015KPM(T) contains a 15" XGA (1024 x 768) LCD. Both LCD's have wide vertical and horizontal viewing angles, as well as excellent

brightness and contrast. Built-in scaling engines allow lower resolution images to be displayed full-size with excellent image quality (640 x 480 on the 5012KPM(T); both 640 x 480 and 800 x 600 on the 5015KPM(T)). Long life backlights ensure years of dependable performance.

DISPLAY SPECIFICATIONS

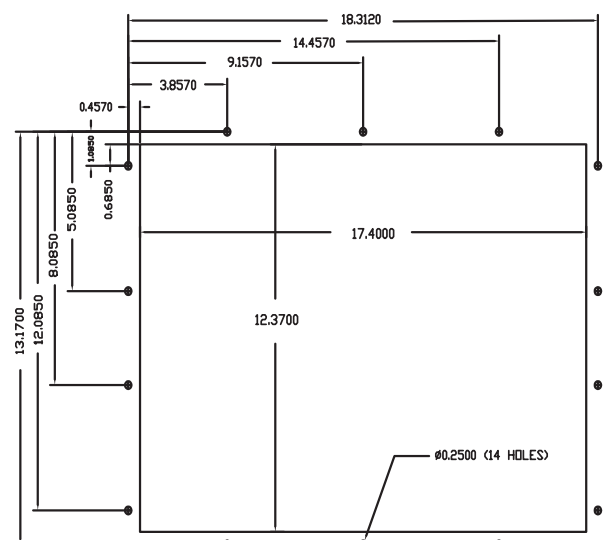
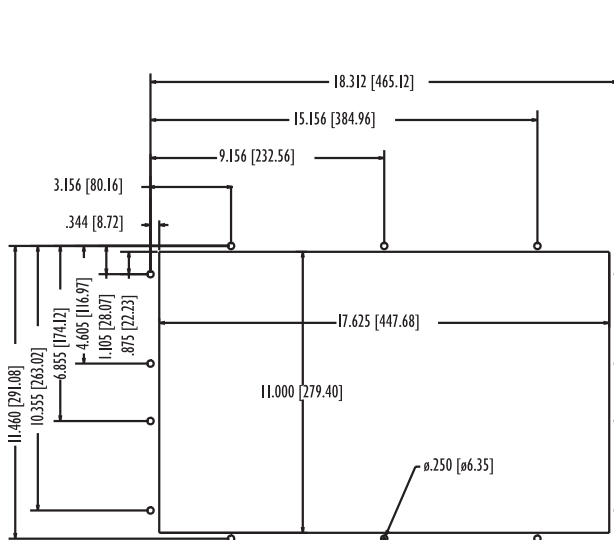
Model	5012KPM(T)
Display Size (Active Area H x W)	9.685" (246.0 mm) x 7.264" (184.5 mm)
Resolution (1 pixel = R+G+B dots)	SVGA: 800 x 600
Display Colors	260,000
Brightness	350 Nit
Contrast Ratio	500:1 (typical)
Horizontal Viewing Angle	120° (typical)
Vertical Viewing Angle	90° (typical)
Backlight Life	50,000 hours
Model	5015KPM(T)
Display Size (Active Area H x W)	11.972" (304.1 mm) x 8.98" (228.1 mm)
Resolution (1 pixel = R+G+B dots)	XGA: 1024 x 768
Display Colors	16.7 million
Brightness	300 Nit
Contrast Ratio	450:1 (typical)
Horizontal Viewing Angle	160° (typical)
Vertical Viewing Angle	150° (typical)
Backlight Life	50,000 hours



PRODUCT AND MOUNTING DIMENSIONS

Model	5012KPM(T)
Height	12.25" (311.12 mm)
Width	19.00" (482.6 mm)
Mounting Depth	2.65" (67.31 mm)
Weight	16.2 lbs (7.48 kg)

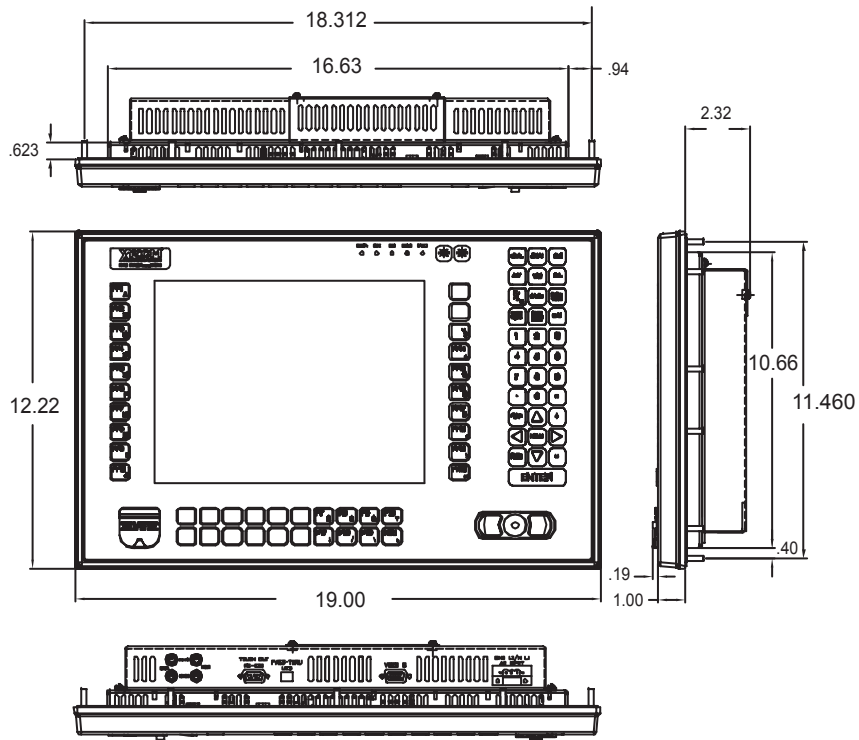
Model	5015KPM(T)
Height	13.97" (354.9 mm)
Width	19.00" (482.6 mm)
Mounting Depth	2.55" (64.77 mm)
Weight	18.9 lbs (8.55 kg)



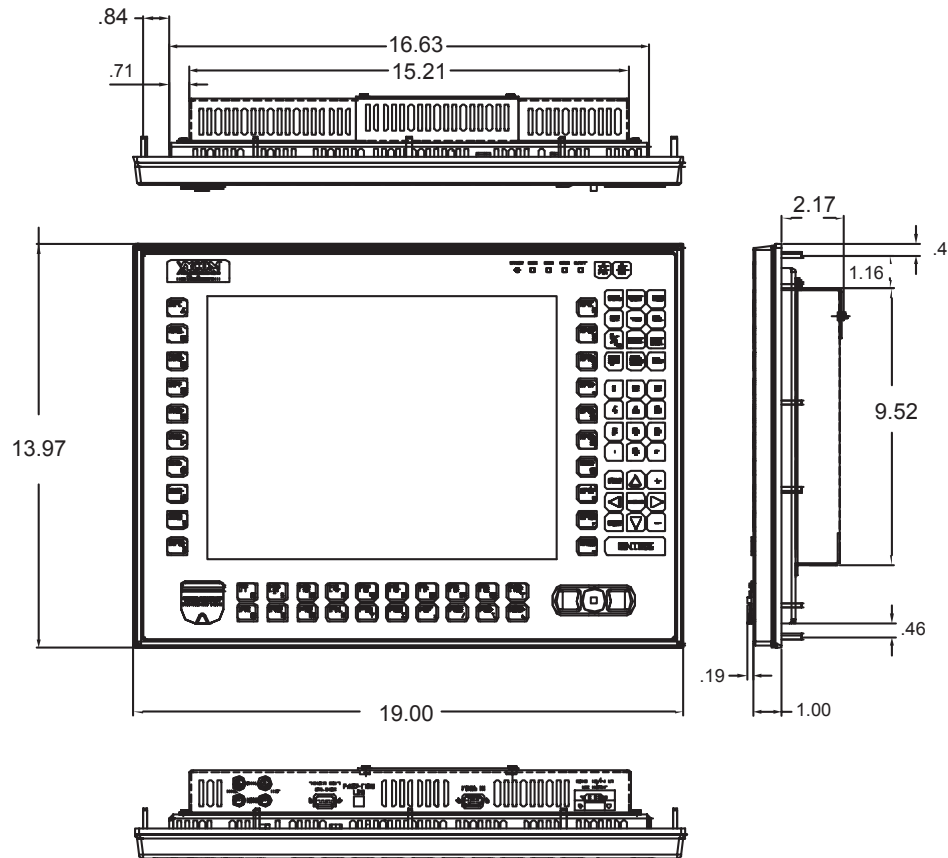
All dimensions are in inches (mm).

OUTLINE DRAWINGS

5012KPM(T) Unit Dimensions



5015KPM(T) Unit Dimensions



PRODUCT SPECIFICATIONS AND RATINGS

Environmental

	Operating	Non-operating
Thermal	0°C to 50°C	-20°C to 60°C
Humidity	20% to 80% RH, non-condensing	20% to 80% RH, non-condensing
Shock	15g peak acceleration, 11 msec duration	30g peak acceleration, 11 msec duration
Vibration 5-2000 Hz	0.006" peak to peak displacement 1.0g maximum acceleration	0.015" peak to peak displacement 2.5g maximum acceleration
Altitude	Sea level to 10,000 ft.	Sea level to 40,000 ft.

Electrical

Model	5012KPM(T)	5015KPM(T)
AC power	100 - 240V AC, 1A, 50/60 Hz, 25 W nominal*	100-240V AC 1A, 50/60 Hz 35 W nominal*
DC Power	28V DC - 30V DC @ 2.3 A maximum 30 W nominal*, inrush current = 22 A max @ 24 V DC	28V DC - 30V DC @ 2.6 A maximum 40 W nominal*, inrush current = 22 A max @ 24 V DC

* Nominal Power is measured for a base configuration only. Any additional expansion and/or devices will increase the input power required.

Front Panel

- NEMA 4/4X/12 and IP65

Regulatory Compliance

- EN 55022: Class A
- EN 61000-6-2
- IEC 60950-1
- EN 61000-3-2, Class A
- EN 61000-3-3

FCC

- 47 CFR, Part 15, Class A

Safety Agency Approvals:

- UL 508
- UL 1604 ^a
- CSA-C22.2, #142
- CSA-C22.2, #213 ^a



^a Class I Division 2, Groups A, B, C, D; Class II, Division 2, Groups F and G; Temp. Code: T4A

ORDERING INFORMATION

To create an order number, follow the conventions defined by the example order numbers and product configurations.

Example Order Number

Order Number	Description
5012KPM	Panel mount 12-inch LCD monitor with 800 x 600 resolution, 260K color, Class I Div 2, Class II Div 2, 74-key reprogrammable/relegendable membrane keyboard, Interlink Vesapoint pointing device and AC power input. Includes 10' VGA cable (Part No. 3000-CBL-10V), 3m USB cable (Part No. CBL-USB-10AB), terminal block for creating AC power connection, and user documentation.
5012KPMT	Same as above with analog resistive touch screen. Includes 10' serial cable (Part No. CBL-SER-10MF) and driver software.
5015KPM	Panel mount 15-inch LCD monitor with 1024 x 768 resolution, 16.7 million color, Class I Div 2, Class II Div 2, 74-key reprogrammable/relegendable membrane keyboard, Interlink Versapoint pointing device and AC power input. Includes 10' VGA cable (Part No. 3000-CBL-10V), 3m USB cable (Part No. CBL-USB-10AB), 10' keyboard/mouse cable (Part NO. CBL-KM-10), terminal block for creating AC power connection and, user documentation.
5015KPMT	Same as above with analog resistive touch screen. Includes 10' serial cable (Part No. CBL-SER-10MF) and driver software.

Resolution and Display Size

5012KPM	SVGA (800x600) 12-inch, No touch screen
5012KPMT	SVGA (800x600) 12-inch, Resistive touch screen
5015KPM	XGA (1024x768) 15-inch, Resistive touch screen
5015KPMT	XGA (1024x768) 15-inch, No touch screen

Power Supply

blank	AC Power Supply
-24V	24VDC Power Supply

Accessories (ordered separately)

Order Number	Description
3000-CBL-10V	10' (3 m) coaxial VGA cable; connects monitor to standard VGA card
3000-CBL-25V	25' (7.5 m) coaxial VGA cable; connects monitor to standard VGA card (consult factory for use with KPMT monitors)
3000-CBL-50V	50' (15 m) coaxial VGA cable; connects monitor to standard VGA card (consult factory for use with KPMT monitors)
CBL-SER10MF	10' (3 m) serial communication cable, male to female
CBL-SER25MF	25' (7.5 m) serial communication cable, male to female (consult factory for use with KPMT monitors)
CBL-SER50MF	50' (15 m) serial communication cable, male to female (consult factory for use with KPMT monitors)
CBL-PS2-10	10' (3m) PS/2 keyboard and mouse cable
3000-USB-03AB	3' (1m) USB touch cable, type A to B

Pro-face America

Phone: 734-429-4971

Fax: 734-429-1010

<http://www.profaceamerica.com>

Customer Support Hotline: 734.944.0482

For more information

ACCESS www.profaceamerica.com

Pro-face

© 2007 Pro-face America. Specifications may change without notice.

Xycom is a trademark of Xycom Automation, LLC. Other brand or product names are the property of their respective owners.